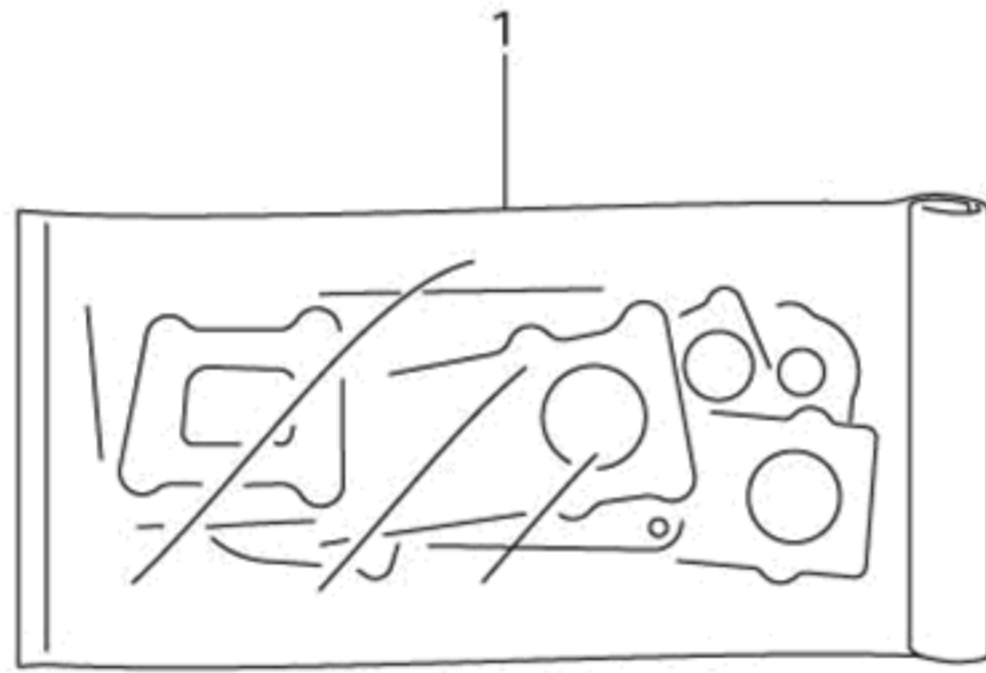
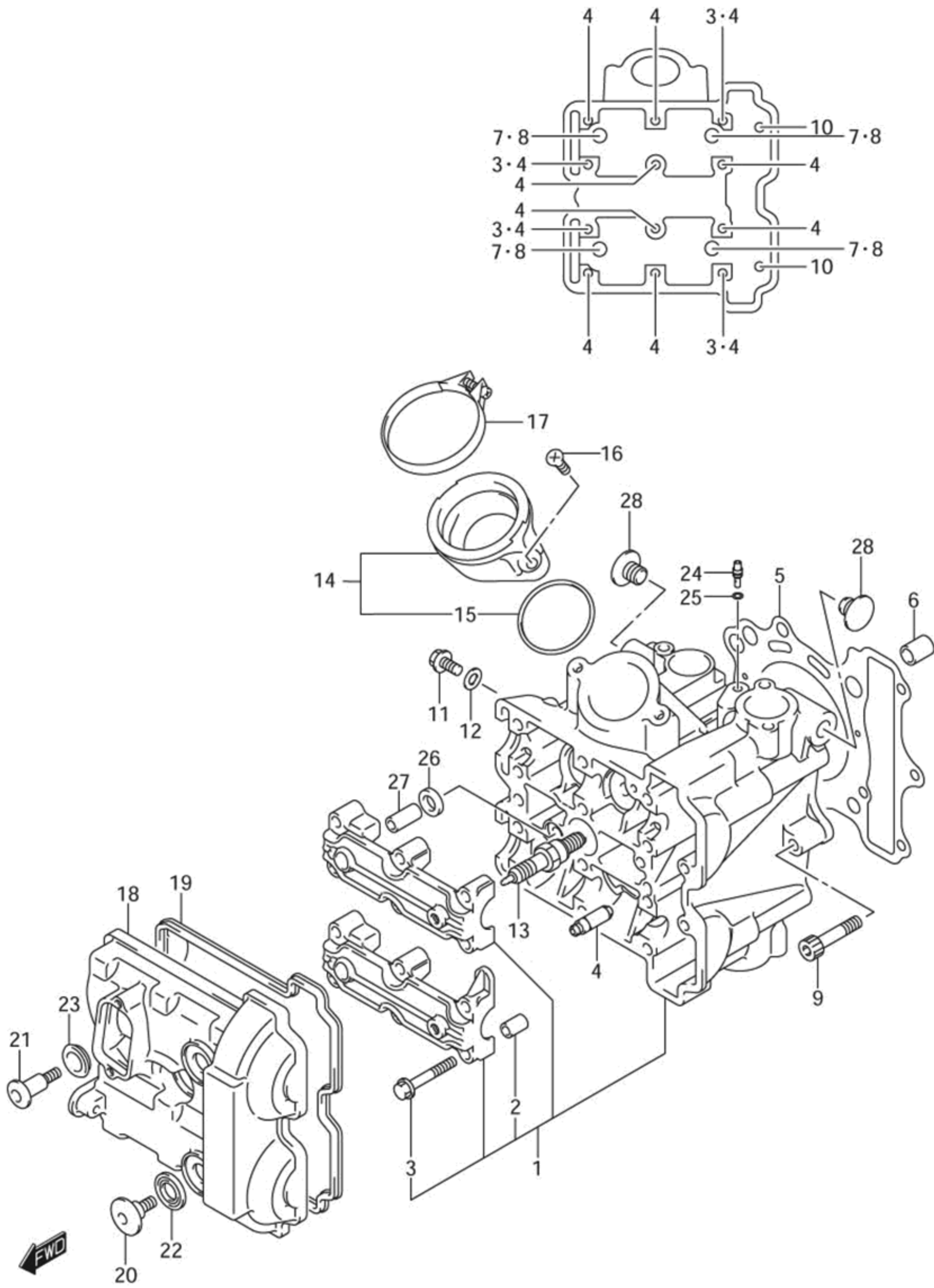


FIG.1



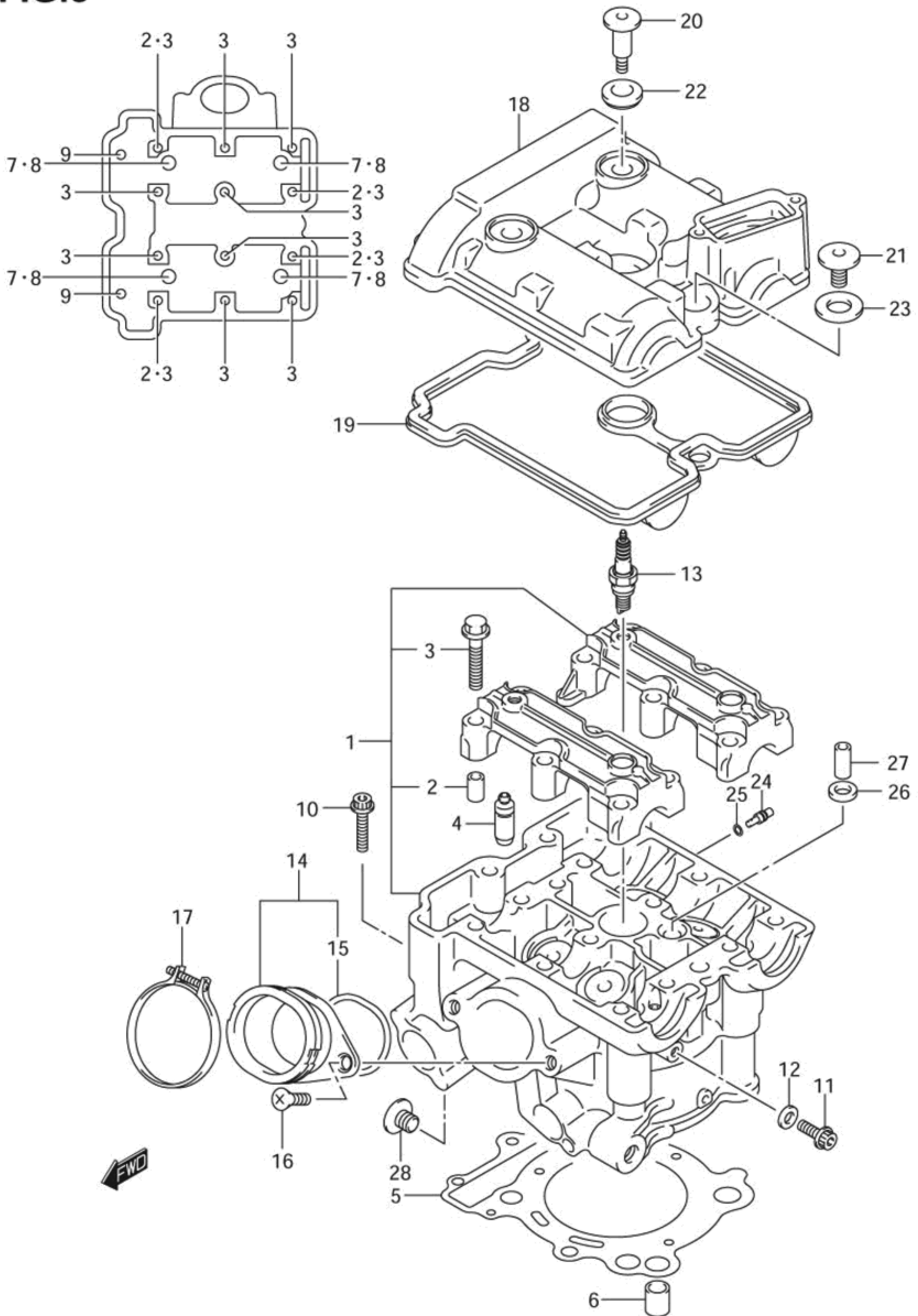
REF#	PART	#REQ	YOUR PRICE
1	GASKET SET 11401-20880	1	\$98.09
2	GASKET,CYLINDER 11141-20F00	2	\$19.82
3	GASKET,CYLINDER 11173-19F01	2	\$15.54
4	GASKET,CYLINDER 11241-19F00	1	\$5.89
5	GASKET,CYLINDER 11242-19F00	1	\$5.89
6	GASKET,CLUTCH C 11482-17G00	1	\$8.63
7	GASKET,MAGNETO 11483-19F00	1	\$5.89
8	GASKET,TENSIONE 12837-27G00	2	\$2.12
9	GASKET,EXHAUST 14181-22D01	2	\$4.61
10	WASHER 09161-11008	4	\$2.00
11	O RING CRK HOLE 09280-22008	1	\$0.84
12	O-RING 09280-46006	2	\$4.16

FIG.2



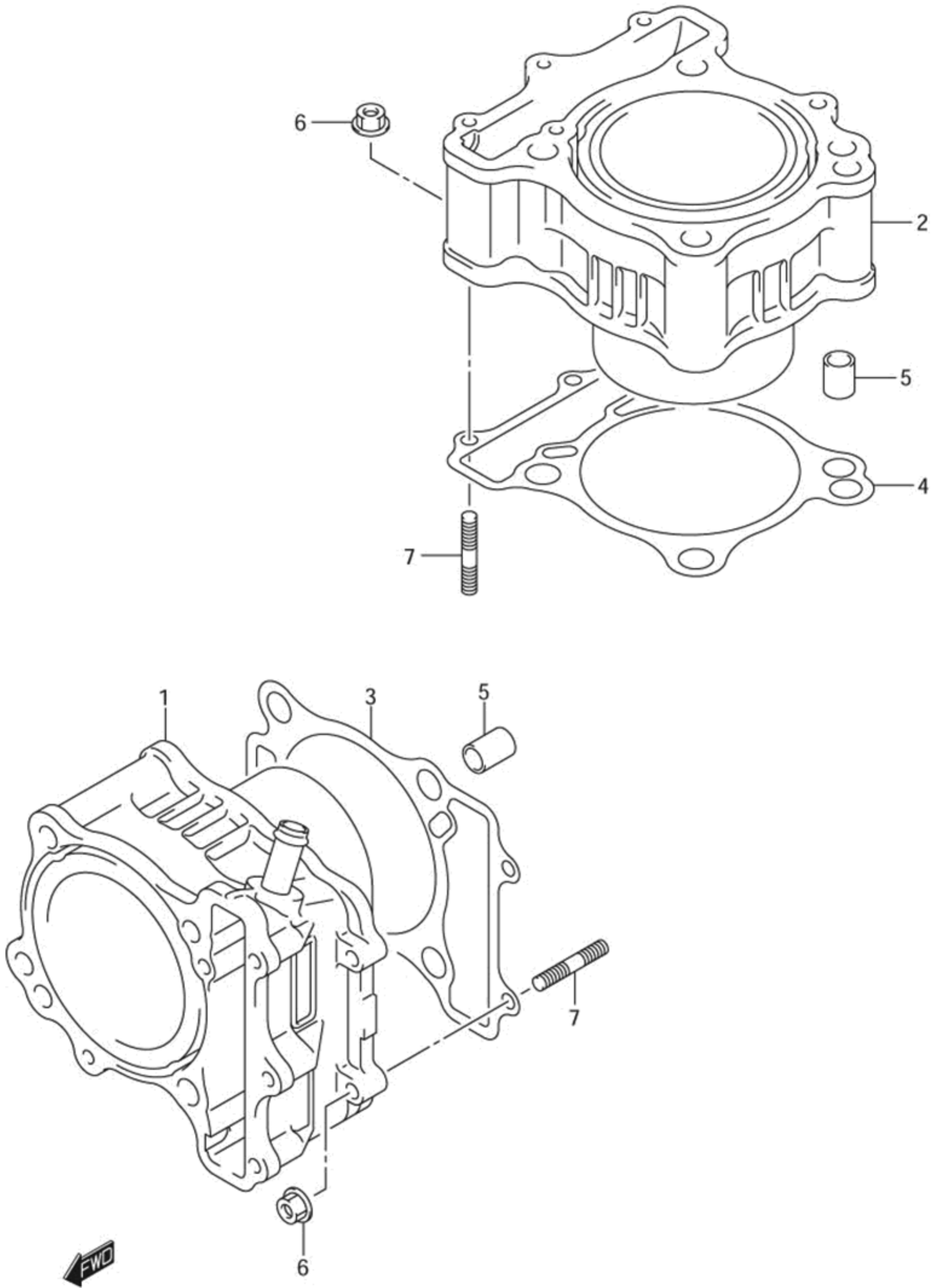
REF#	PART	#REQ	YOUR PRICE
1	HEAD ASSY,CYLIN 11101-17G10	1	\$391.86
2	COVER DOWEL PIN 09206-08001	4	\$0.71
3	CAM SFT HOUSING 09103-06026	12	\$0.65
4	GUIDE,VALVE 11115-18D72	4	\$11.46
5	GASKET,CYLINDER 11141-20F00	1	\$19.82
6	PIN 04211-13189	2	\$0.91
7	WASHER 09160-10082	4	\$0.62
8	BOLT,CYLINDER H 09103-10272	4	\$6.54
9	BOLT 07120-06403	1	\$1.26
10	BOLT 6X70 09103-06103	2	\$0.97
11	BOLT 07120-06123	1	\$1.07
12	GASKET 09168-06023	1	\$0.87
13-1	SPARK PLUG CR8E 09482-00456	1	\$4.09
13-2	SPARK PLUG U24E 09482-00457	1	\$3.42
13-3	SPARK PLUG CR9E 09482-00458	1	\$4.29
13-4	SPARK PLUG U27E 09482-00459	1	\$3.42
13-5	SPARK PLUG CR7E 09482-00516	1	\$4.29
13-6	SPARK PLUG U22E 09482-00515	1	\$3.42
14	PIPE ASSY,INTAK 13101-17G00	1	\$26.50
15	O-RING 09280-46006	1	\$4.16
16	SCREW 6X16 02122-06163	2	\$0.58
17	CLAMP 09402-62203 (replaces 09402-62208)	1	\$2.84
18	COVER,CYLINDER 11171-17G00	1	\$65.00
19	GASKET,CYLINDER 11173-19F01	1	\$15.54
20	BOLT,L:5.5 09106-07009	2	\$1.93
21	BOLT,L:19 09106-07010	1	\$2.00
22	WASHER 09161-11008	2	\$2.00
23	CUSHION,HEAD CO 11192-13E00	1	\$1.93
24	JET AIR 09493-80005	1	\$6.09
25	O RING 09280-04004	1	\$0.65
26	GASKET,2ND AIR 11182-35F00	1	\$1.48
27	PIN,6.2X8X16 09206-08007	1	\$1.07
28	CAP,ENGINE MOUN 11151-27G00	2	\$1.77

FIG.3



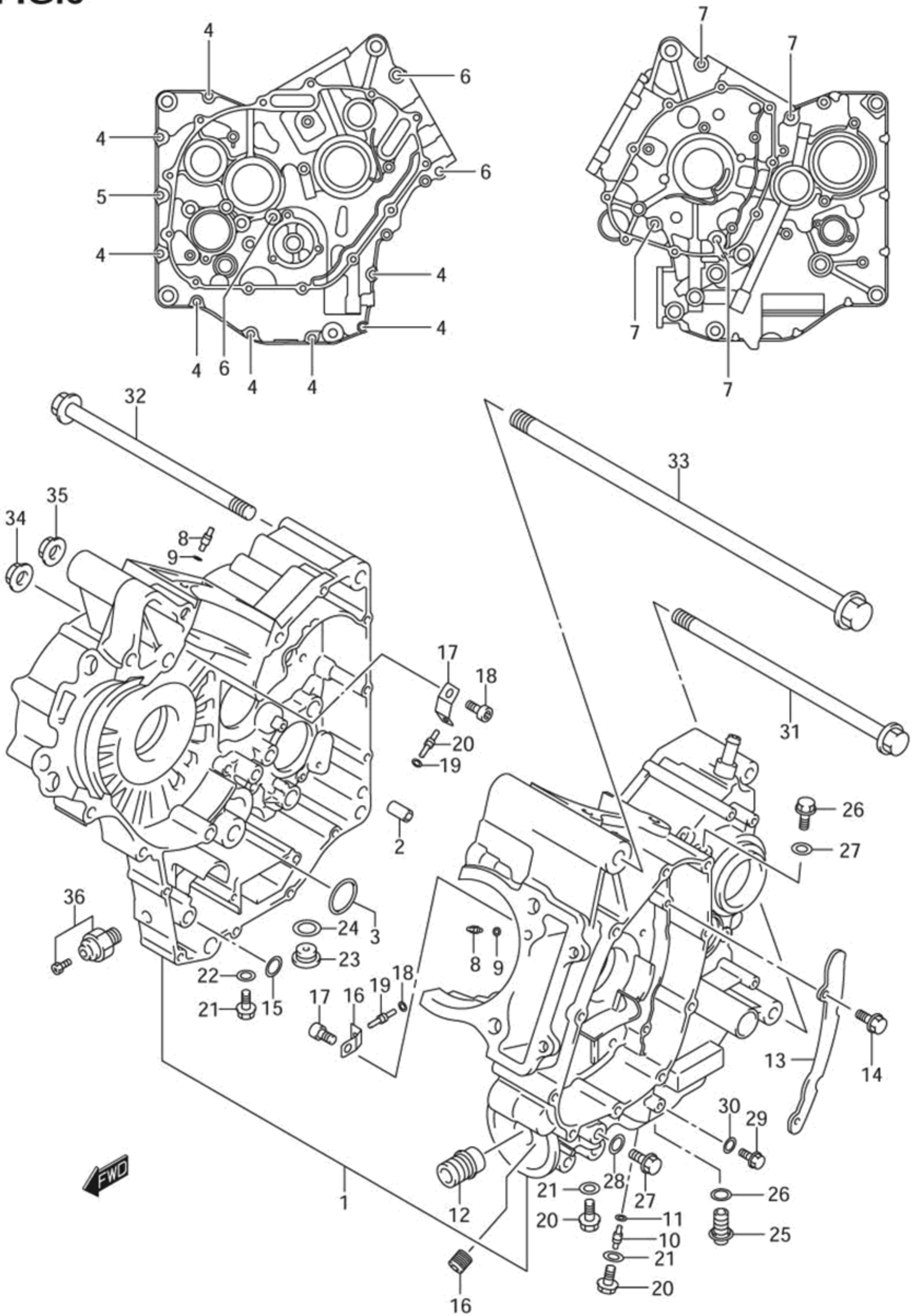
REF#	PART	#REQ	YOUR PRICE
1	HEAD ASSY,CYLIN 11103-17G10	1	\$391.86
2	COVER DOWEL PIN 09206-08001	4	\$0.71
3	CAM SFT HOUSING 09103-06026	12	\$0.65
4	GUIDE,VALVE 11115-18D72	4	\$11.46
5	GASKET,CYLINDER 11141-20F00	1	\$19.82
6	PIN 04211-13189	2	\$0.91
7	WASHER 09160-10082	4	\$0.62
8	BOLT,CYLINDER H 09103-10272	4	\$6.54
9	BOLT 6X70 09103-06103	2	\$0.97
10	BOLT 07120-06403	1	\$1.26
11	BOLT 07120-06123	1	\$1.07
12	GASKET 09168-06023	1	\$0.87
13-1	SPARK PLUG CR8E 09482-00456	1	\$4.09
13-2	SPARK PLUG U24E 09482-00457	1	\$3.42
13-3	SPARK PLUG CR9E 09482-00458	1	\$4.29
13-4	SPARK PLUG U27E 09482-00459	1	\$3.42
13-5	SPARK PLUG CR7E 09482-00516	1	\$4.29
13-6	SPARK PLUG U22E 09482-00515	1	\$3.42
14	PIPE ASSY,INTAK 13102-17G00	1	\$26.50
15	O-RING 09280-46006	1	\$4.16
16	SCREW 6X16 02122-06163	2	\$0.58
17	CLAMP 09402-62203 (replaces 09402-62208)	1	\$2.84
18	COVER,CYLINDER 11172-17G00	1	\$65.00
19	GASKET,CYLINDER 11173-19F01	1	\$15.54
20	BOLT,L:5.5 09106-07009	2	\$1.93
21	BOLT,L:19 09106-07010	1	\$2.00
22	WASHER 09161-11008	2	\$2.00
23	CUSHION,HEAD CO 11192-13E00	1	\$1.93
24	JET AIR 09493-80005	1	\$6.09
25	O RING 09280-04004	1	\$0.65
26	GASKET,2ND AIR 11182-35F00	1	\$1.48
27	PIN,6.2X8X16 09206-08007	1	\$1.07
28	CAP,ENGINE MOUN 11151-27G00	1	\$1.77

FIG.4



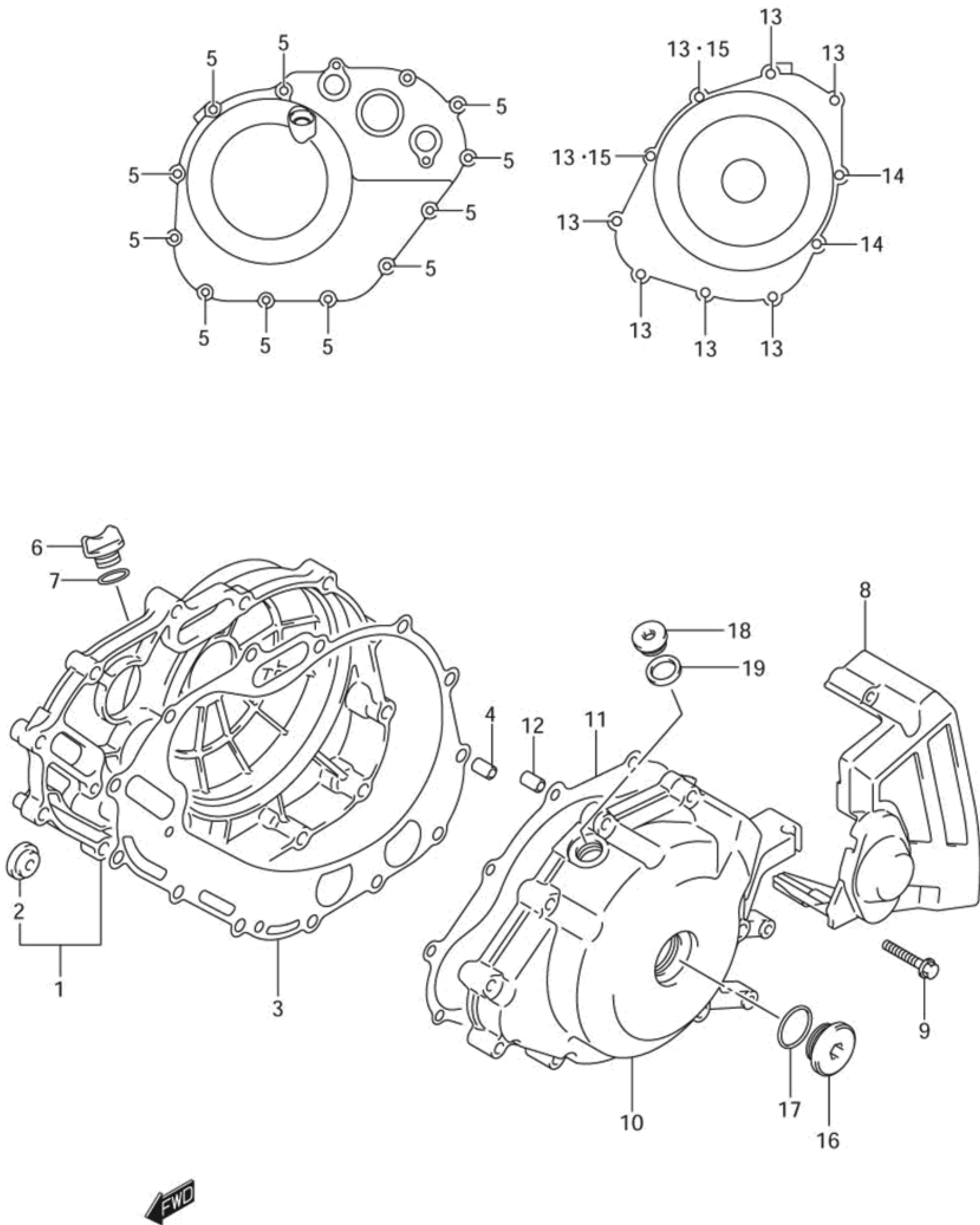
REF#	PART	#REQ	YOUR PRICE
1	CYLINDER COMP,F 11210-20F30-0F0	1	\$245.13
2	CYLINDER COMP,R 11220-20F20-0F0	1	\$245.13
3	GASKET,CYLINDER 11241-19F00	1	\$5.89
4	GASKET,CYLINDER 11242-19F00	1	\$5.89
5	PIN 04211-13189	4	\$0.91
6	NUT 08316-10063	4	\$0.84
7	BOLT, STUD 01421-06253	4	\$0.81

FIG.5



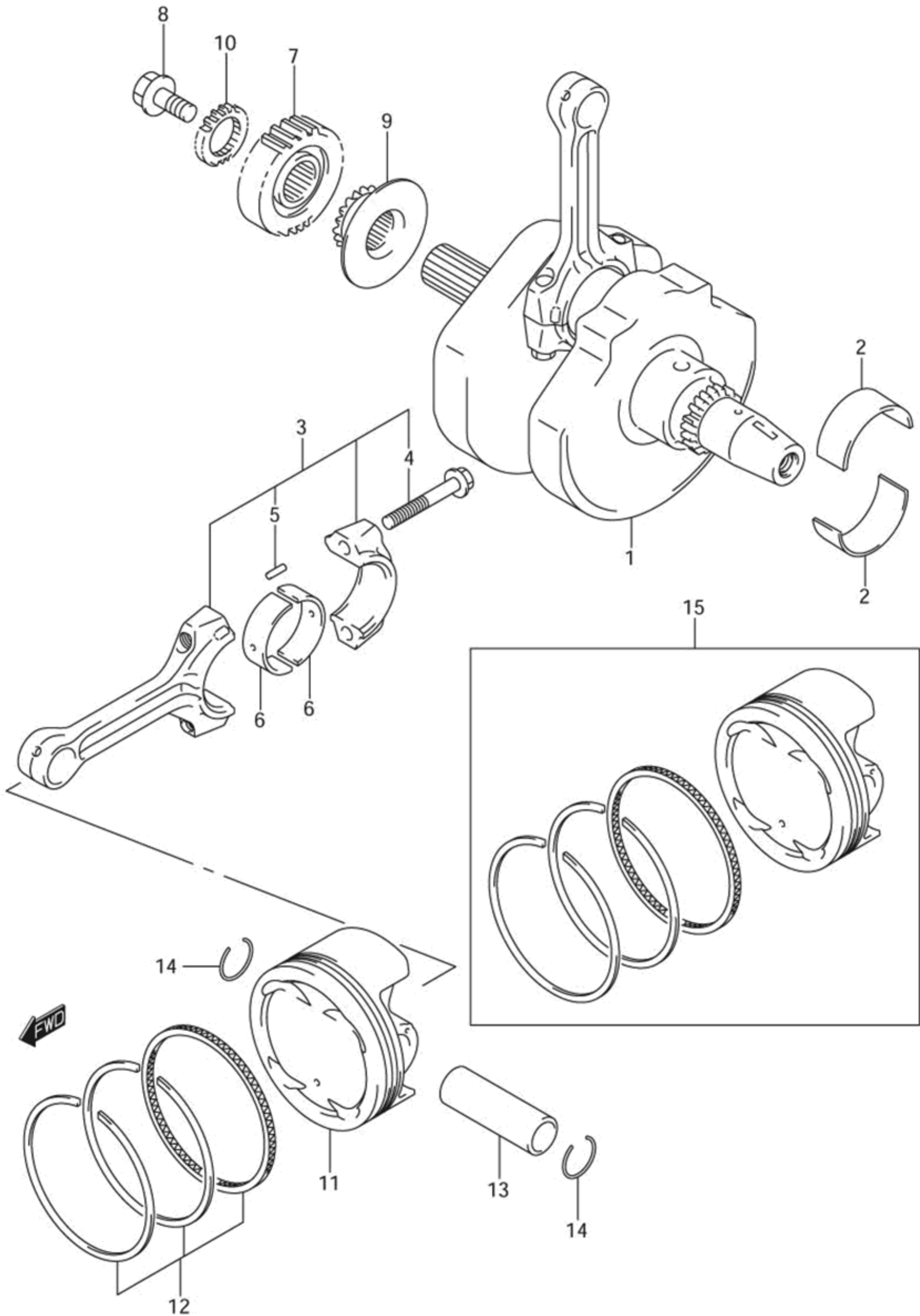
REF#	PART	#REQ	YOUR PRICE
1	CRANKCASE SET 11301-20880	1	\$930.99
2	PIN,CRANKCASE 09206-11007	2	\$0.87
3	O-RING D:2.4 ID 09280-15007	1	\$0.71
4	BOLT 01547-06503	8	\$0.97
5	BOLT 6 X 50 01547-06507	1	\$0.97
6	BOLT 07120-08553	3	\$1.48
7	BOLT 07120-08803	4	\$1.65
8	JET AIR 09493-28010	2	\$6.09
9	O RING 09280-04004	2	\$0.65
10	JET AIR 09493-28010	1	\$6.09
11	O RING 09280-04004	1	\$0.65
12	UNION OIL STAND 16591-06B00	1	\$3.19
13	PLATE,OIL SEPAR 11323-19F00	1	\$1.52
14	BOLT 6X12 BLK 8 01547-06123	2	\$0.87
15	O RING 09280-12009	1	\$1.32
16	JET,OIL GALLERY 11329-17G00	1	\$2.38
17	PLATE,PISTON CO 16438-19F00	2	\$1.23
18	BOLT 09106-06075	2	\$1.00
19	O RING 09280-04004	2	\$0.65
20	JET,130 09493-26007	2	\$8.12
21	BOLT 01550-08123	3	\$0.97
22	GASKET 8.2X14X1 09168-08016	3	\$0.68
23	PLUG 09248-16010 (replaces 09248-16012)	1	\$2.00
24	GASKET 16X22X2 09168-16002	1	\$0.81
25	PLUG, OIL PAN 09247-12011	1	\$2.00
26	GASKET OIL GALL 09168-12002	1	\$0.65
27	PLUB 09247-12006	1	\$1.16
28	GASKET,12X17X1 09168-12017	1	\$0.87
29	BOLT 01550-06123	2	\$0.84
30	GASKET 09168-06023	2	\$0.87
31	BOLT,ENG MTG UP 09103-10347	1	\$7.63
32	BOLT,10X225 09103-10205	1	\$6.93
33	BOLT,12X310 09103-12054	1	\$9.37
34	NUT 08319-31103	1	\$1.16
35	NUT,ENG MTG 09159-12054	1	\$1.68
36	SWITCH ASSY,OIL 37820-33D10	1	\$16.15

FIG.6



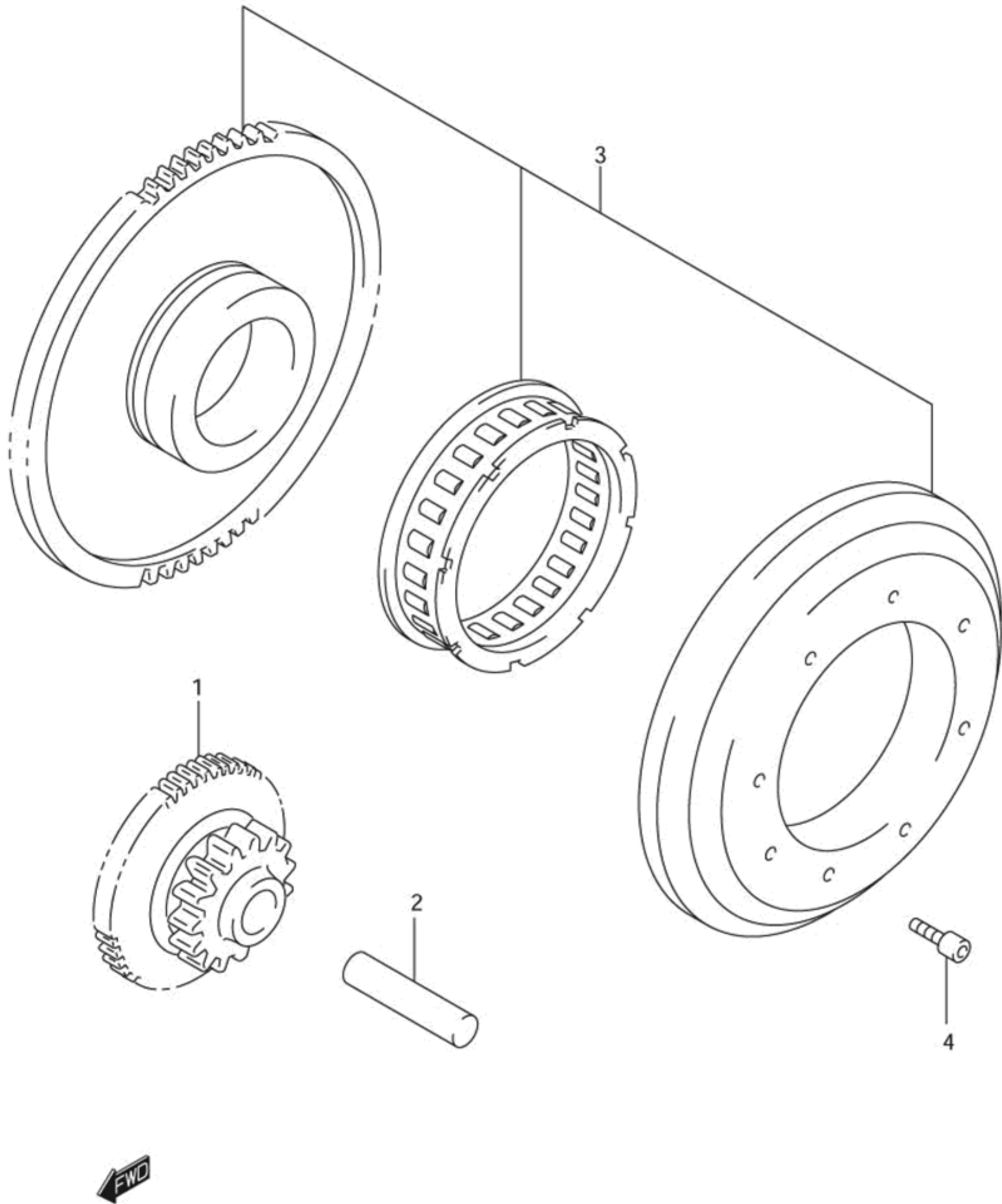
REF#	PART	#REQ	YOUR PRICE
1	COVER,COMP,CLUT 11340-17G00	1	\$126.98
2	LENS,OIL LEVEL 11971-33210	1	\$8.34
3	GASKET,CLUTCH C 11482-17G00	1	\$8.63
4	PIN 9X14 04211-09149	2	\$0.65
5	BOLT (6X34) 09103-06214	11	\$1.00
6	PLUG,ENGINE OIL 11971-25D00	1	\$2.32
7	O-RING, OIL FIL 09280-17003	1	\$0.65
8	COVER,ENG SPROC 11361-27G00	1	\$30.76
9	BOLT,MAG COV,L4 09103-06224	3	\$1.06
10	COVER,MAGNETO 11351-19F50	1	\$109.15
11	GASKET,MAGNETO 11483-19F00	1	\$5.89
12	PIN 9X14 04211-09149	2	\$0.65
13	BOLT (6X34) 09103-06214	8	\$1.00
14	BOLT 09103-06239	2	\$1.13
15	GASKET 09168-06023	2	\$0.87
16	PLUG,HOLE 09259-26011	1	\$4.74
17	O RING CRK HOLE 09280-22008	1	\$0.84
18	PLUG 09248-16010 (replaces 09248-16012)	1	\$2.00
19	GASKET 16X22X2 09168-16002	1	\$0.81

FIG.7



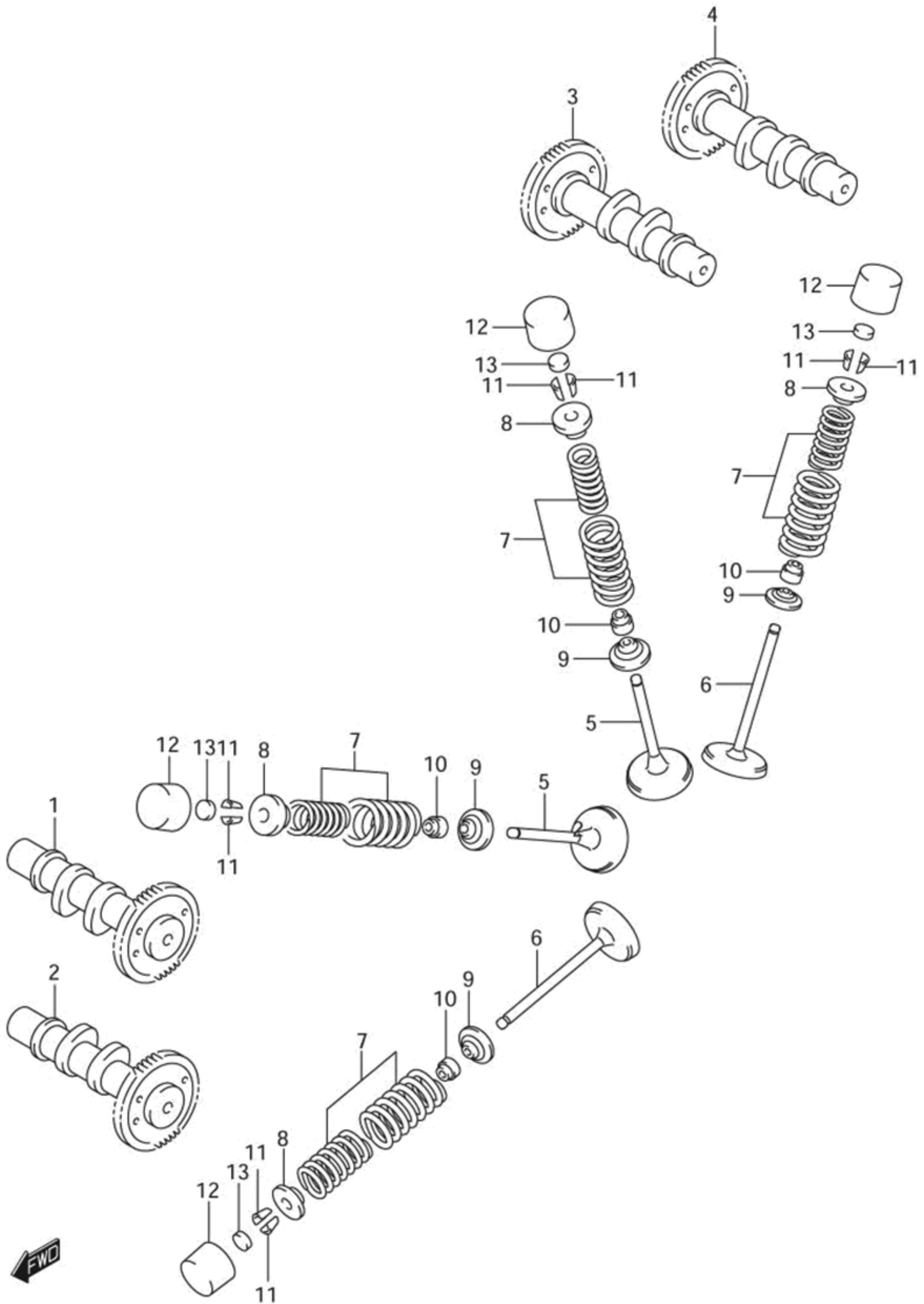
REF#	PART	#REQ	YOUR PRICE
1	CRANKSHAFT COMP 12220-17G00	1	\$450.21
2-1	BEARING,CRANKSH 12229-27G00-0A0	4	\$8.42
2-2	BEARING,CRANKSH 12229-27G00-0B0	4	\$8.42
2-3	BEARING,CRANKSH 12229-27G00-0C0	4	\$8.42
3	CONNROD ASSY 12160-17G00	2	\$65.91
4	BOLT,CONNROD 12163-24F00	4	\$7.57
5	PIN,CONNROD 12165-27A50	4	\$0.58
6-1	BEARING,CRANK P 12164-46E01-0A0	4	\$8.12
6-2	BEARING,CRANK P 12164-46E01-0B0	4	\$8.12
6-3	BEARING,CRANK P 12164-46E01-0C0	4	\$8.12
6-4	BEARING,CRANK P 12164-46E01-0D0	4	\$8.12
8	BOLT,PRIMARY DR 09103-10338	1	\$2.90
9	SPROCKET,CAM CH 12731-19F00	1	\$26.50
10	GEAR,WATER PUMP 17451-17G00	1	\$14.65
11	PISTON 12111-20F00-0F0	2	\$41.34
12	RING SET,PISTON 12140-17G00	2	\$21.28
13	PIN PISTON 12151-05A00	2	\$6.93
14	CIRCLIP PISTON 09381-20004	4	\$0.65
15	PISTON SET,OS 0 12100-17G00-050	2	\$62.13

FIG.8



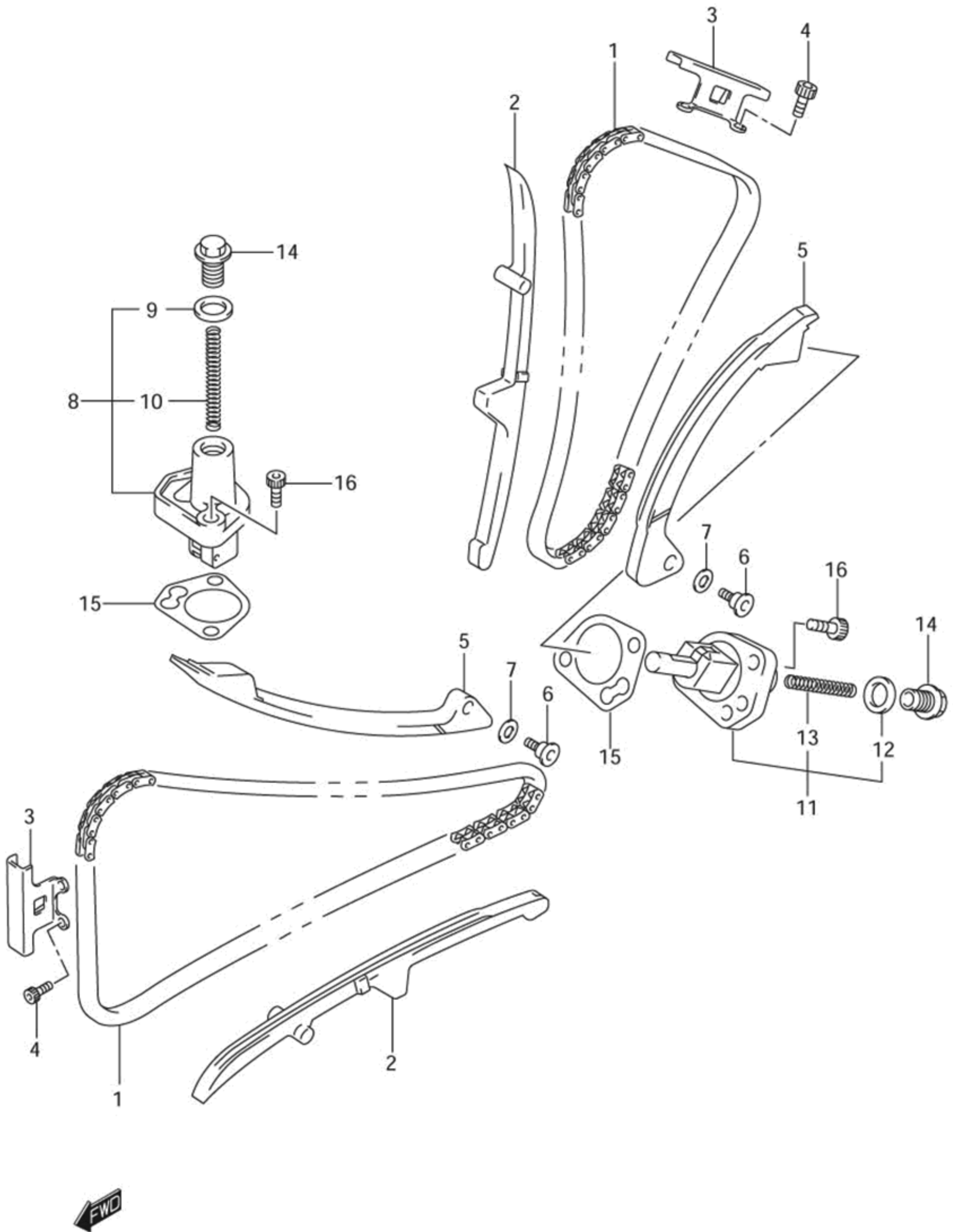
REF#	PART	#REQ	YOUR PRICE
1	GEAR,STARTER ID 12611-27G00	1	\$31.07
2	PIN,STARTER IDL 09206-12006	1	\$4.16
3	CLUTCH SET,STAR 12600-20840	1	\$128.19
4	BOLT 09106-08095	6	\$0.91

FIG.9



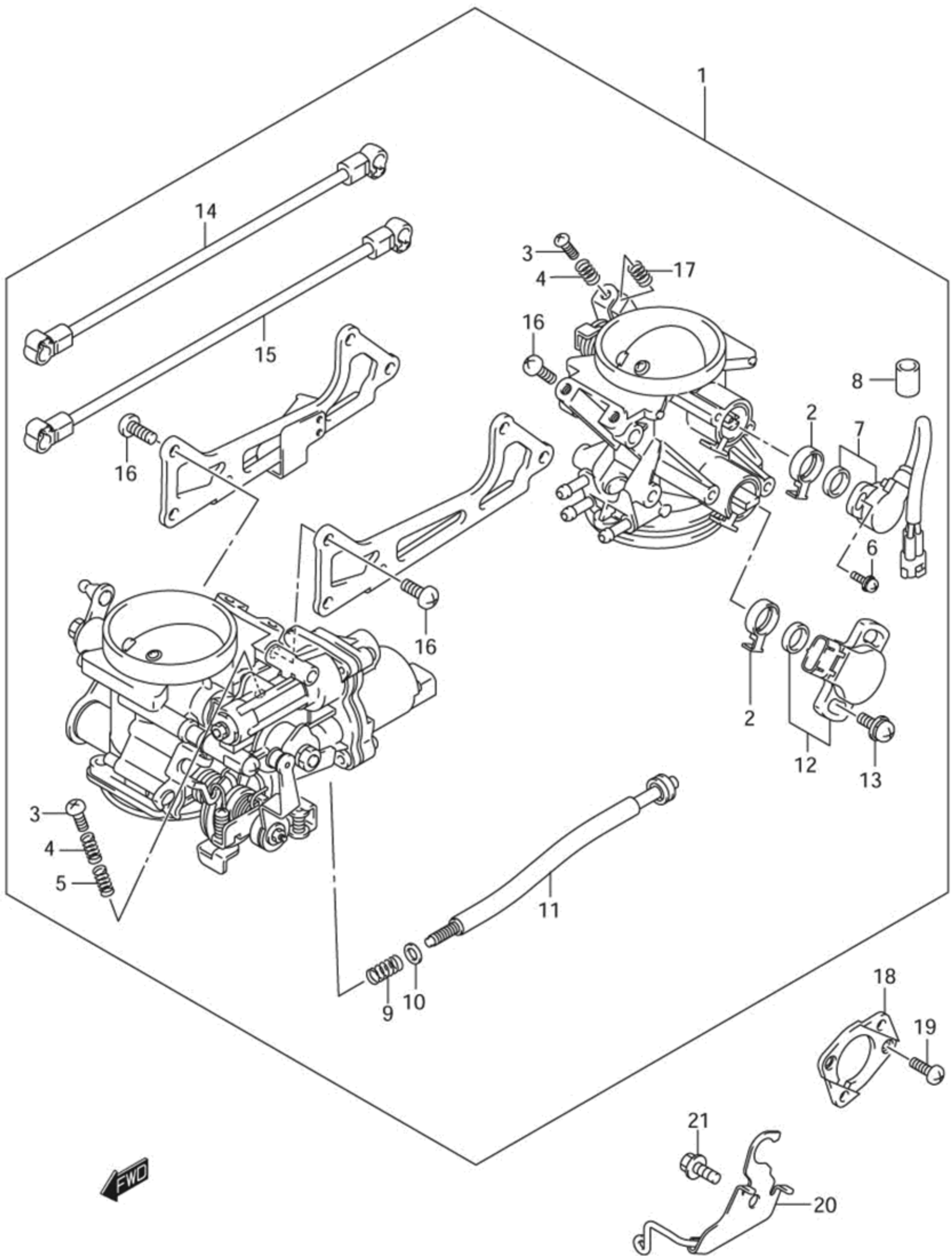
REF#	PART	#REQ	YOUR PRICE
1	CAMSHAFT COMP,I 12710-27G00	1	\$98.70
2	CAMSHAFT COMP,E 12720-20F00	1	\$98.57
3	CAMSHAFT COMP,I 12730-27G00	1	\$98.70
4	CAMSHAFT COMP,E 12740-20F00	1	\$98.57
5	VALVE,INTAKE 12911-46E00	4	\$20.72
6	VALVE,EXHAUST 12912-20F00	4	\$25.98
7	SPRING SET,VALV 12920-33E10	8	\$6.22
8	RETAINER,VALVE 12931-33E10	8	\$6.96
9	SEAT,VALVE SPRI 12933-39E00	8	\$3.09
10	SEAL,OIL,4.5X10 09289-04002	8	\$2.93
11	COTTER,VALVE 12932-17E50	16	\$0.87
12	TAPPET 12891-17E00	8	\$29.25
13-1	SHIM,TAPPET 12892-05C00-120	8	\$4.32
13-2	SHIM,TAPPET 12892-05C00-125	8	\$4.32
13-3	SHIM,TAPPET 12892-05C00-130	8	\$4.32
13-4	SHIM,TAPPET 12892-05C00-135	8	\$4.32
13-5	SHIM,TAPPET 12892-05C00-140	8	\$4.32
13-6	SHIM,TAPPET 12892-05C00-145	8	\$4.32
13-7	SHIM,TAPPET 12892-05C00-150	8	\$4.32
13-8	SHIM,TAPPET,T:1 12892-05C00-155	8	\$4.32
13-9	SHIM,TAPPET 12892-05C00-160	8	\$4.32
13-10	SHIM,TAPPET 12892-05C00-165	8	\$4.32
13-11	SHIM,TAPPET 12892-05C00-170	8	\$4.32
13-12	SHIM,TAPPET 12892-05C00-175	8	\$4.32
13-13	SHIM,TAPPET 12892-05C00-180	8	\$4.32
13-14	SHIM,TAPPET 12892-05C00-185	8	\$4.32
13-15	SHIM,TAPPET 12892-05C00-190	8	\$4.32
13-16	SHIM,TAPPET 12892-05C00-195	8	\$4.32
13-17	SHIM,TAPPET 12892-05C00-200	8	\$4.32
13-18	SHIM,TAPPET 12892-05C00-205	8	\$4.32
13-19	SHIM,TAPPET 12892-05C00-210	8	\$4.32
13-20	SHIM,TAPPET 12892-05C00-215	8	\$4.32
13-21	SHIM,TAPPET 12892-05C00-220	8	\$4.32
14	SHIM SET,TAPPET 12800-05830	1	\$397.69
15	CASE,TAPPET SHI 99000-69491	1	\$82.46

FIG.10



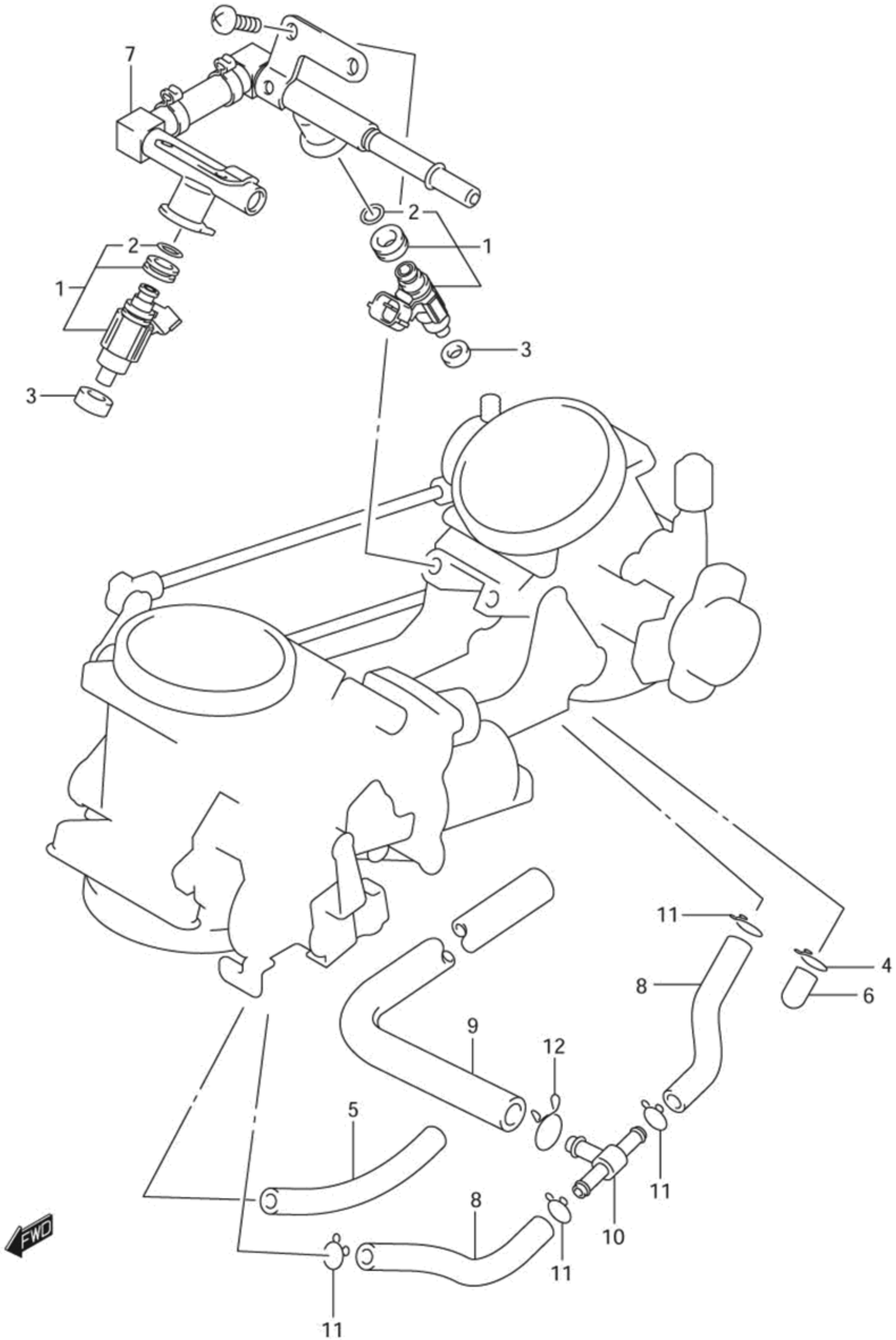
REF#	PART	#REQ	YOUR PRICE
1	CHAIN COMP,CAMS 12760-19F00	2	\$71.06
2	GUIDE,CAM CHAIN 12771-19F00	2	\$22.06
3	GUIDE,CAM CHAIN 12782-19F00	2	\$21.59
4	BOLT 07130-06123	6	\$1.07
5	TENSIONER,CAM C 12811-17G00	2	\$32.05
6	BOLT,CAM CHAIN 12812-35C00	2	\$3.96
7	WASHER 08211-06181	2	\$0.71
8	ADJUSTER ASSY,T 12830-27G00	1	\$39.30
9	GASKET 12837-24F10	1	\$2.19
10	SPRING 12831-39F00	1	\$2.55
11	ADJUSTER ASSY,T 12830-27G10	1	\$39.30
12	GASKET 12837-24F10	1	\$2.19
13	SPRING 12831-39F00	1	\$2.55
14	PLUG,TENSIONER 12833-17G00	2	\$2.84
15	GASKET,TENSIONE 12837-27G00	2	\$2.12
16	BOLT 07130-06253	4	\$1.07

FIG.11



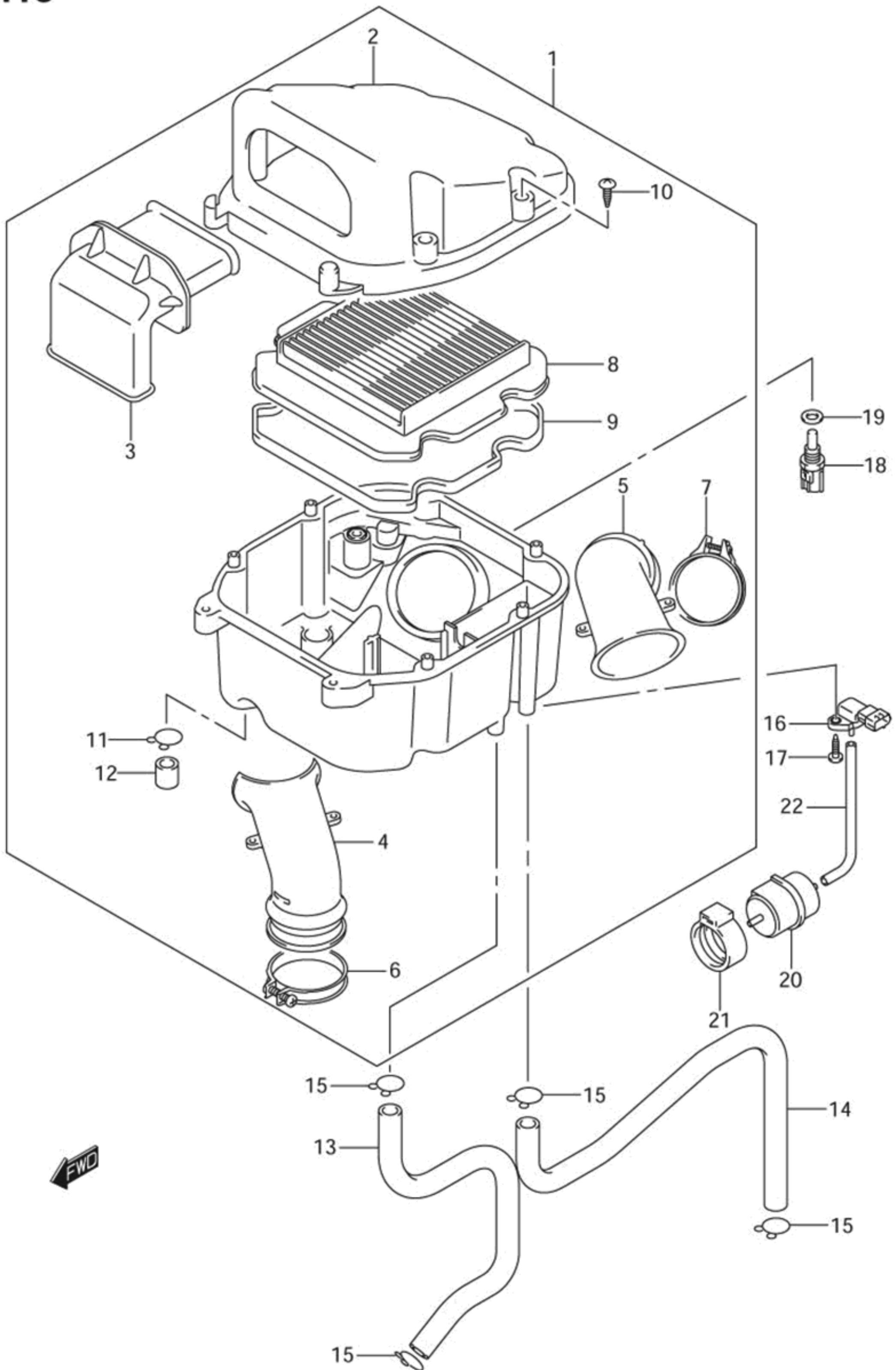
REF#	PART	#REQ	YOUR PRICE
1-1	THROTTLE BODY 13405-27G00	1	\$499.19
1-2	THROTTLE BODY 13405-27G10	1	\$499.19
2	RING 13311-06G00	2	\$2.51
3	SCREW 13548-42F00	3	\$1.42
4	SPRING 13271-44B00	3	\$1.70
5	SPRING 13268-96111	1	\$1.93
6	SCREW 13605-39F00	2	\$1.65
7	SENSOR ASSY 13580-16G00	1	\$65.00
8	HOSE 13683-39F10	1	\$1.48
9	SPRING CARBURET 13271-93011	1	\$1.93
10	WASHER 13386-09410	1	\$1.19
11	ADJUST SCREW AS 13270-06G00	1	\$30.59
12	THROTTLE VALVE 13550-13D60	1	\$50.38
13	BOLT 13605-02F00	2	\$1.61
14	ROD ASSY 13552-27G00	1	\$10.61
15	ROD ASSY 13552-16G00	1	\$10.61
16	SCREW 13602-06128	12	\$1.23
18	PLATE 13627-16G00	1	\$10.27
19	SCREW 02112-04107	2	\$0.62
20	BRACKET,IDLE AD 13279-27G00	1	\$5.31
21	SCREW 01500-06123	1	\$0.71

FIG.12



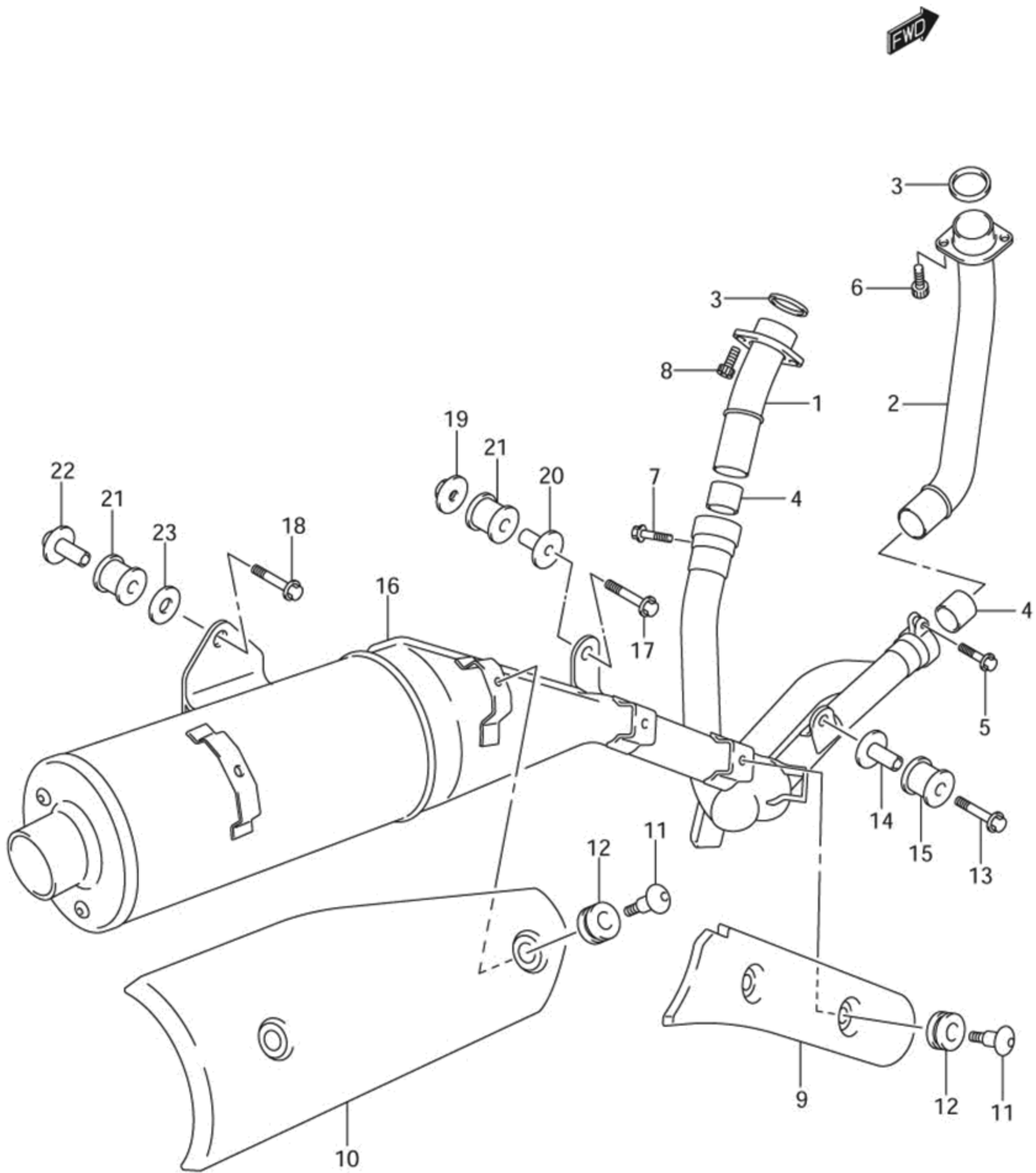
REF#	PART	#REQ	YOUR PRICE
1	INJECTOR ASSY 15710-17G00	2	\$106.73
2	O RING 15717-16G00	2	\$4.54
3	CUSHION,FUEL IN 13672-33E00	2	\$4.54
4	CLIP 09401-06101	3	\$0.84
5	HOSE 13683-10F60	1	\$8.44
6-1	CAP 13274-84000	3	\$1.71
7	DELIVERRY PIPE 15730-17G00	1	\$108.85
8	HOSE,3.2X7.4X22 13681-39F00-225	2	\$5.77
9	(CA) HOSE 13683-06G10 (replaces 13683-27G00)	1	\$14.88
10	NIPPLE 13685-04F10	1	\$3.96
11	CLIP 09401-06101	4	\$0.84
12	CLIP, FUEL HOSE 09401-10410	1	\$0.90

FIG.13



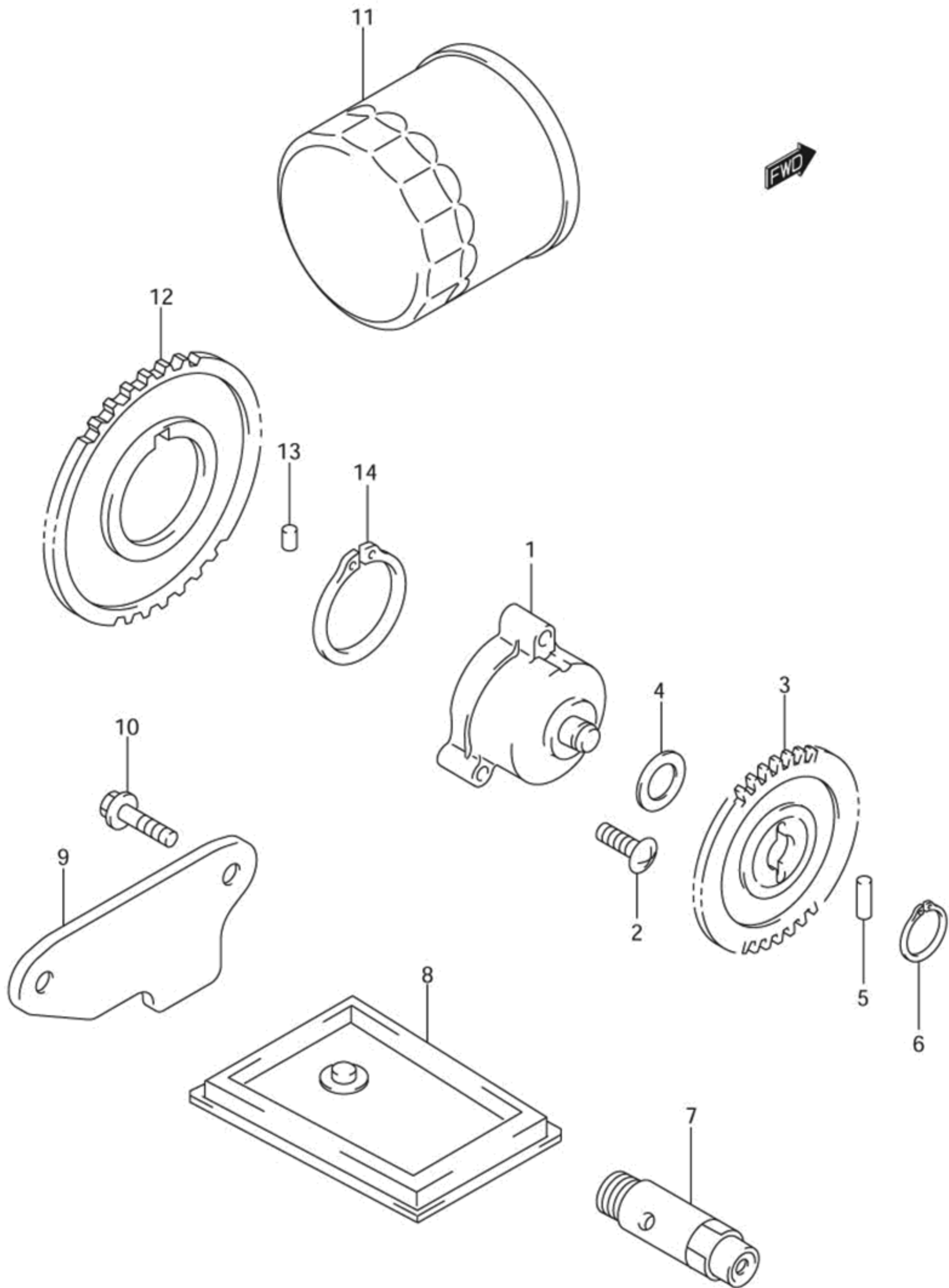
REF#	PART	#REQ	YOUR PRICE
1	CLEANER ASSY,AI 13700-27G00	1	\$111.06
2	CAP COMP,AIR CL 13740-27G00	1	\$28.55
3	TUBE,INLET 13891-27G00	1	\$18.76
4	TUBE,OUTLET A 13881-27G00	1	\$10.45
5	TUBE,OUTLET B 13882-27G00	1	\$10.45
6	CLAMP 13826-17G00	1	\$2.45
7	CLAMP 09402-54208	1	\$2.35
8	FILTER,AIR CLEA 13780-06G00	1	\$25.02
9	GASKET,AIR CLEA 13746-06G00	1	\$7.63
10	SCREW 03142-05163	8	\$0.94
11	PLUG 13878-10G00	1	\$2.13
12	BREATHER HOSE C 09401-14301	1	\$0.81
13	TUBE,BREATHER C 13851-27G00	1	\$6.73
14	TUBE,BREATHER C 13852-27G00	1	\$8.34
15	CLIP,BREATHER T 09401-15101	4	\$0.94
16	SENSOR COMP,BOO 18590-17G00	1	\$136.64
17	SCREW 5 X 16 03541-05163	1	\$0.55
18	SENSOR,WATER TE 13650-57F00	1	\$42.13
19	GASKET,12X17X1 09168-12017	1	\$0.87
20	CHAMBER COMP,VA 13715-06G00	1	\$9.69
21	BAND,VACUUM CHA 13912-17G00	1	\$3.19
22	HOSE 09355-35755-600	1	\$3.39

FIG.14



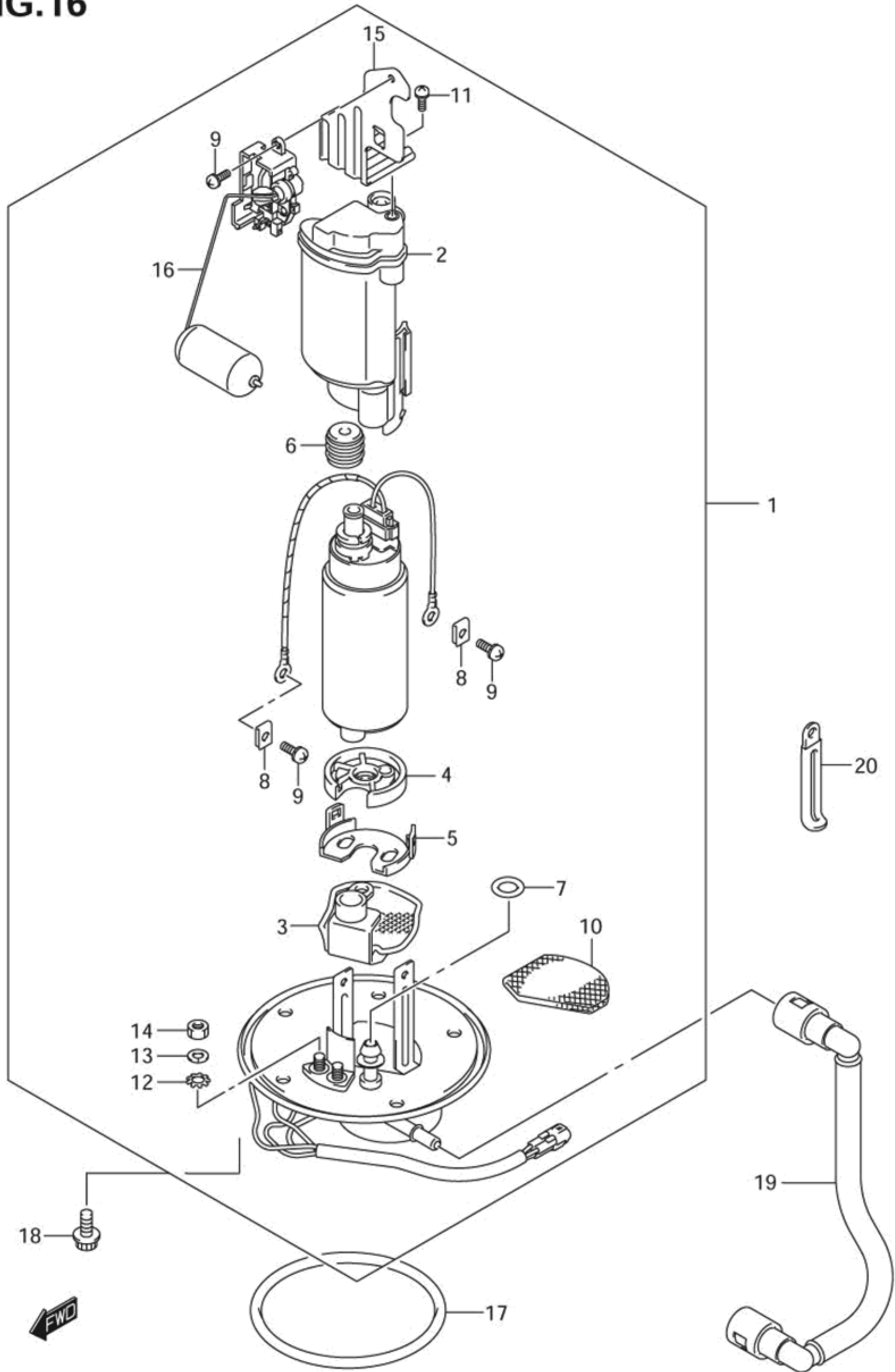
REF#	PART	#REQ	YOUR PRICE
1	PIPE COMP,EXH R 14150-27G00	1	\$42.78
2	PIPE COMP,EXH F 14160-17G00	1	\$78.61
3	GASKET,EXHAUST 14181-22D01	2	\$4.61
4	CONNECTOR,MUF 14771-32E00	2	\$10.05
5	BOLT,MUF SPRT R 09103-08365	1	\$1.65
6	BOLT,EXH PIPE 09106-08165	2	\$1.77
7	BOLT 07120-08353	1	\$1.48
8	BOLT 07130-08253	2	\$1.26
9	COVER,MUF FR 14771-27G00	1	\$12.38
10	COVER,MUF 14781-27G00	1	\$68.12
11	SCREW,M6X20 09139-06087	5	\$2.06
12	CUSHION 09320-08070	5	\$4.25
13	BOLT,M8X45 09118-08152	1	\$2.29
14	SPACER,8.6X12X2 09180-08152	1	\$2.55
15	CUSHION 09320-12048	1	\$2.22
16-1	MUFFLER COMP 14305-27G10-H01	1	\$648.95
16-2	MUFFLER COMP 14305-27G20-H01	1	\$693.88
17	BOLT,CYLINDER H 01550-08453	1	\$1.26
18	BOLT 09103-08358	1	\$1.48
19	NUT,MUF SPRT FR 14414-27G00	1	\$2.48
20	SPACER 8.6X12X2 09180-08156	1	\$2.93
21	CUSHION 09320-12049	2	\$4.74
22	NUT, MUFFLER SU 14414-06G00	1	\$4.48
23	WASHER 09160-08146	1	\$1.07

FIG.15



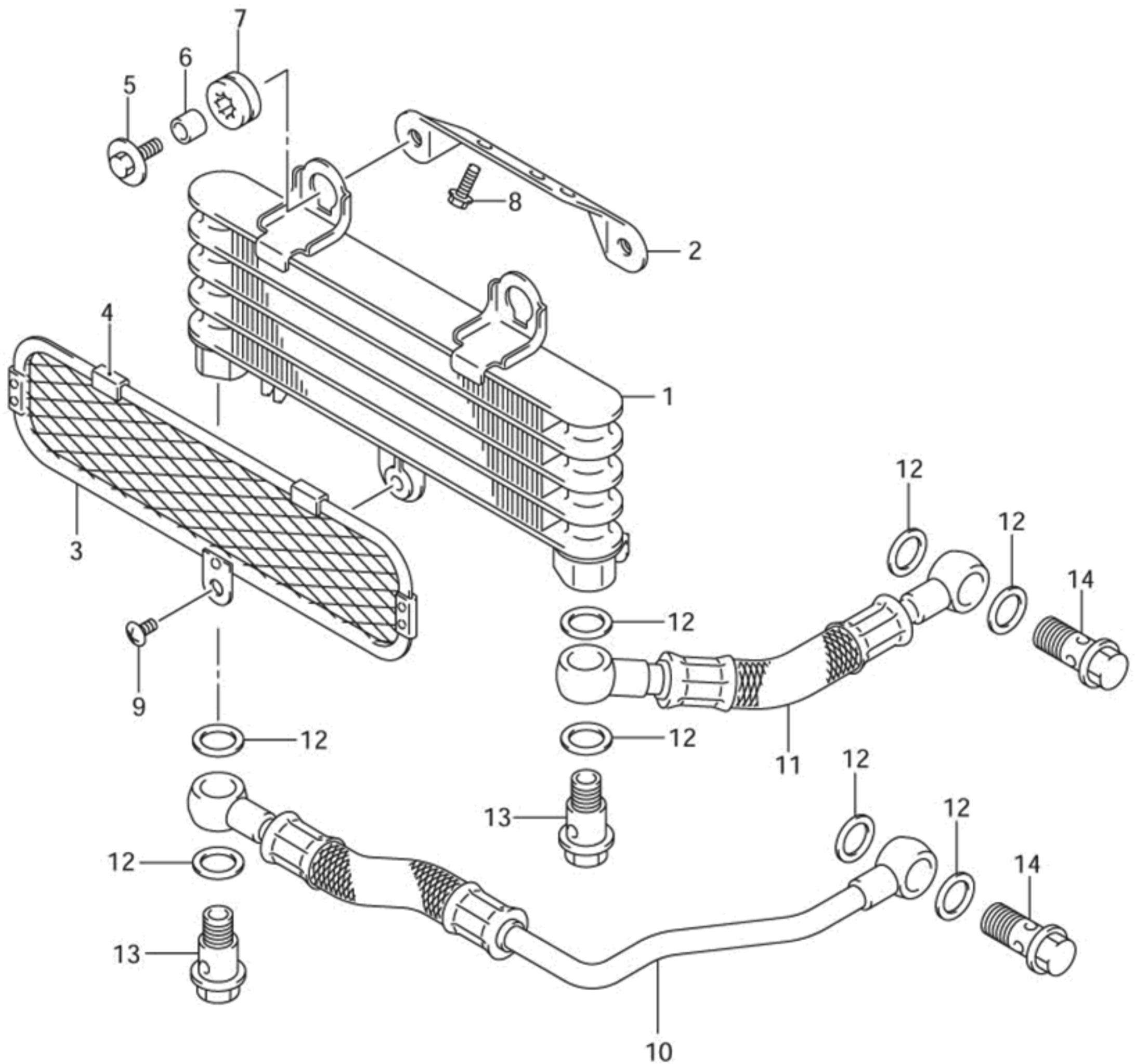
REF#	PART	#REQ	YOUR PRICE
1	PUMP ASSY,ENG O 16400-20F00	1	\$66.22
2	SCREW 02112-06253	3	\$0.71
3	GEAR,ENG OIL PU 16331-19F00	1	\$12.56
4	SHIM,10X18X0.5 09181-10158	1	\$0.84
5	SHIFT CAM STOP 09261-04001	1	\$0.58
6	CIRCLIP 08331-31106	1	\$0.74
7	VALVE ASSY,OIL 16440-17C20	1	\$22.22
8	STRAINER COMP,E 16520-32E00	1	\$7.76
9	CAP,OIL STRAINE 16523-17G00	1	\$4.25
10	BOLT 6X12 BLK 8 01547-06123	2	\$0.87
11	FILTER ASSY,ENG 16510-03G00-X07	1	\$9.29
12	GEAR,ENG OIL PU 16321-19F00	1	\$27.69
13	OIL PUMP DRIV G 09261-06002	1	\$0.58
14	CIRCLIP 08331-31383	1	\$1.19

FIG.16



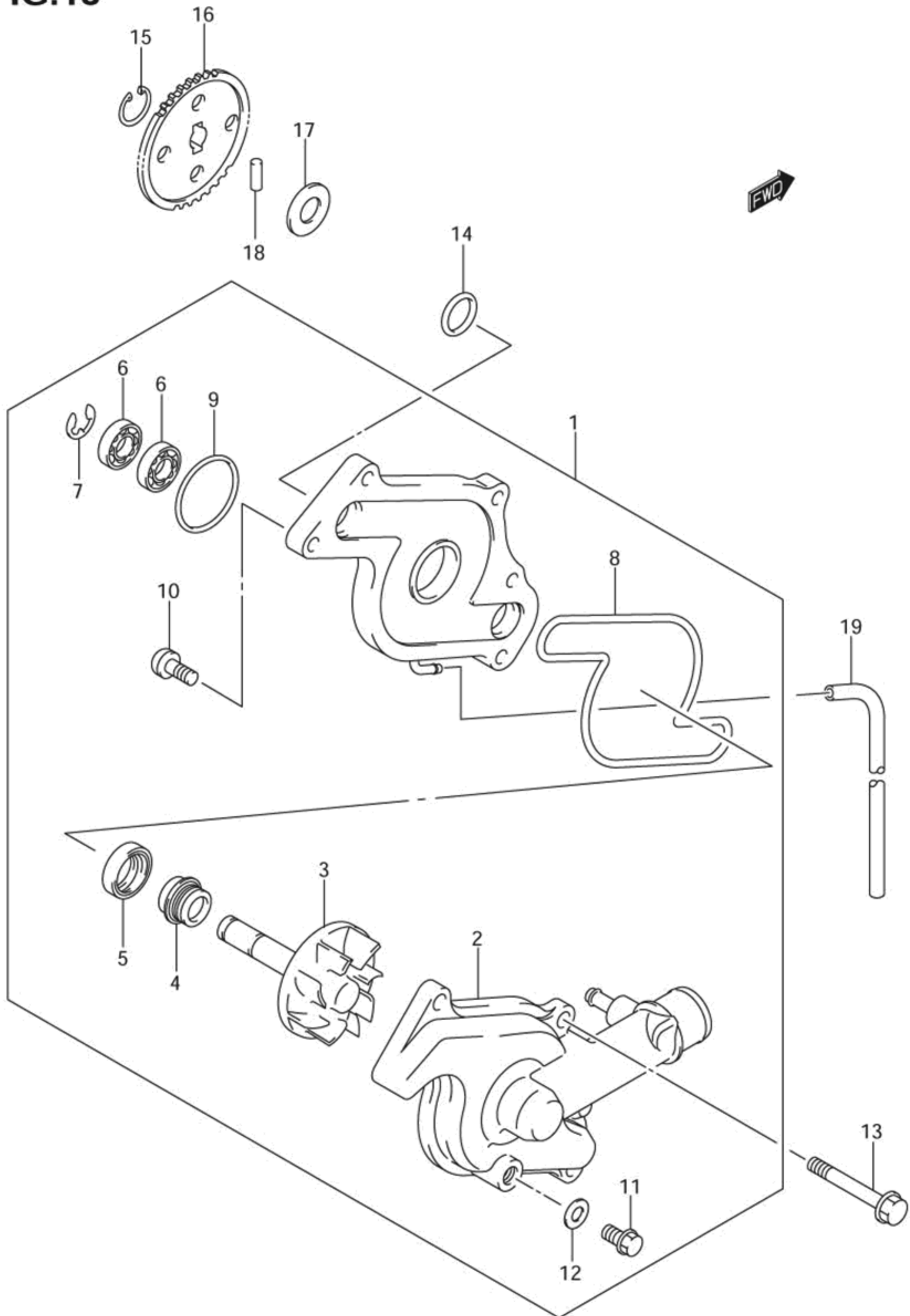
REF#	PART	#REQ	YOUR PRICE
1	PUMP ASSY,FUEL 15100-06G10	1	\$406.84
2	FILTER,FUEL 15410-24F00	1	\$168.98
3	STRAINER,FUEL P 15420-24F00 (replaces 15420-35F01)	1	\$33.90
4	CUSHION,FUEL PU 15111-35F00	1	\$3.06
5	HOLDER,FUEL PUM 15112-42F00	1	\$8.50
6	BUSH,FUEL PUMP 15114-35F00	1	\$6.99
7	O RING 15113-35F00	1	\$2.71
8	NUT 15115-35F00	2	\$2.55
9	SCREW 15116-06G10	1	\$1.48
10	SHEET 15117-06G10	1	\$5.03
11	SCREW 15116-35F10	4	\$1.48
12	WASHER 15171-35F00	2	\$0.94
13	SPRING WASHER 15172-35F00	2	\$0.94
14	NUT 15173-35F00	2	\$0.94
15	BRACKET,FUEL GA 15181-06G00	1	\$16.65
16	GAUGE ASSY,FUEL 34810-06G10	1	\$70.54
17	O-RING,FUEL PUM 15201-35F00	1	\$12.72
18	BOLT 07120-06123	5	\$1.07
19	HOSE COMP,FUEL 15810-27G00	1	\$28.55
20	CLAMP 09404-06429	1	\$0.75

FIG.17



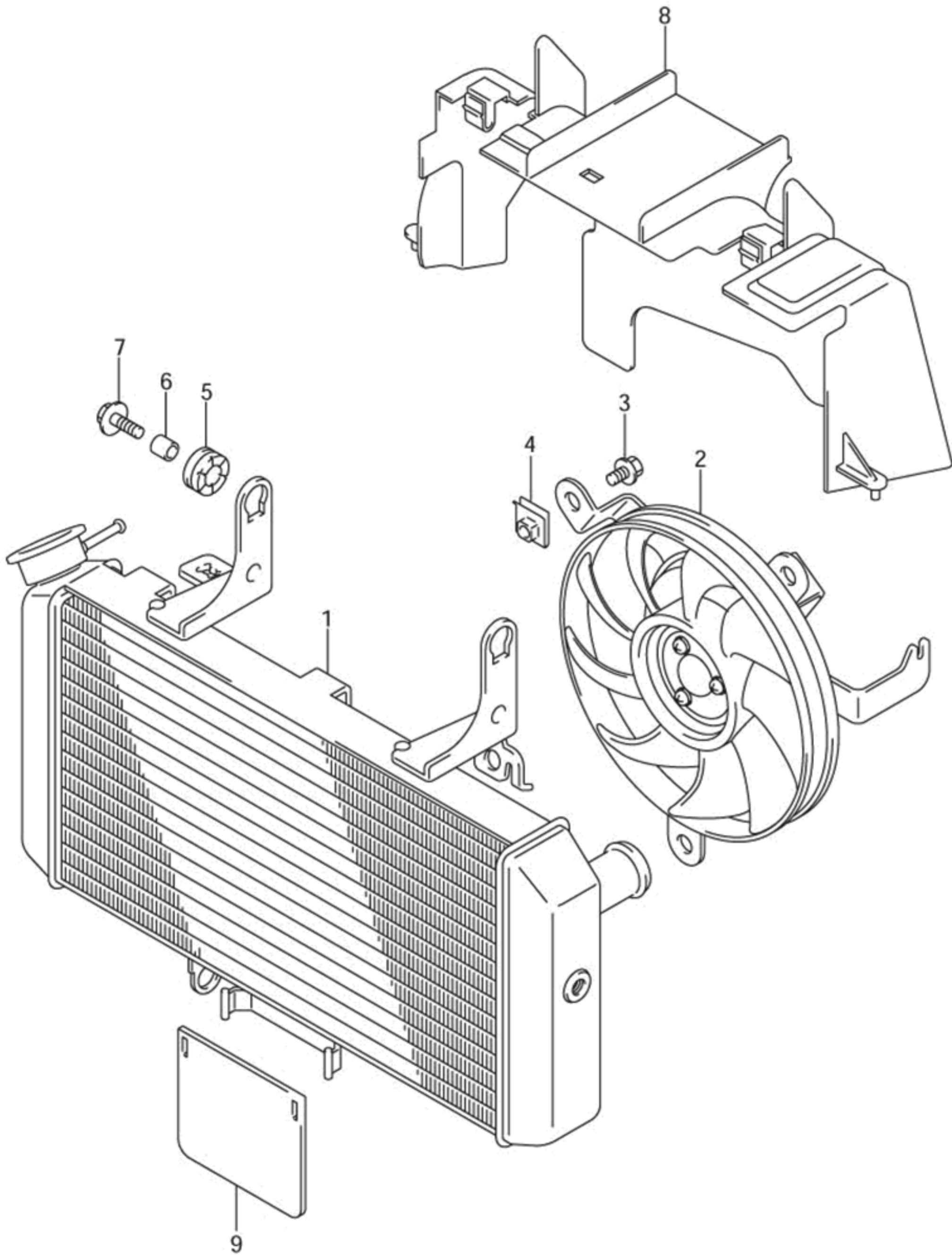
REF#	PART	#REQ	YOUR PRICE
1	COOLER ASSY,OIL 16600-27G00	1	\$254.59
2	BRACKET COMP,OI 16620-27G00	1	\$3.54
3	GUARD COMP,OIL 16650-27G00	1	\$17.53
4	PROTECTOR,CTR 17765-09F00	2	\$1.65
5	BOLT 09116-06167	2	\$0.91
6	SPACER 09180-06310	2	\$0.81
7	CUSHION 09320-09009	2	\$2.00
8	BOLT 01550-06163	2	\$0.84
9	SCREW 5X10 02142-05103	1	\$0.55
10	HOSE COMP,OIL C 16460-17G00	1	\$43.40
11	HOSE COMP,OIL C 16470-17G00	1	\$40.23
12	GASKET 09168-14015	8	\$0.87
13	BOLT,OIL HOSE U 09360-12012	2	\$5.09
14	BOLT,14X27 09360-14012	2	\$4.80

FIG.18



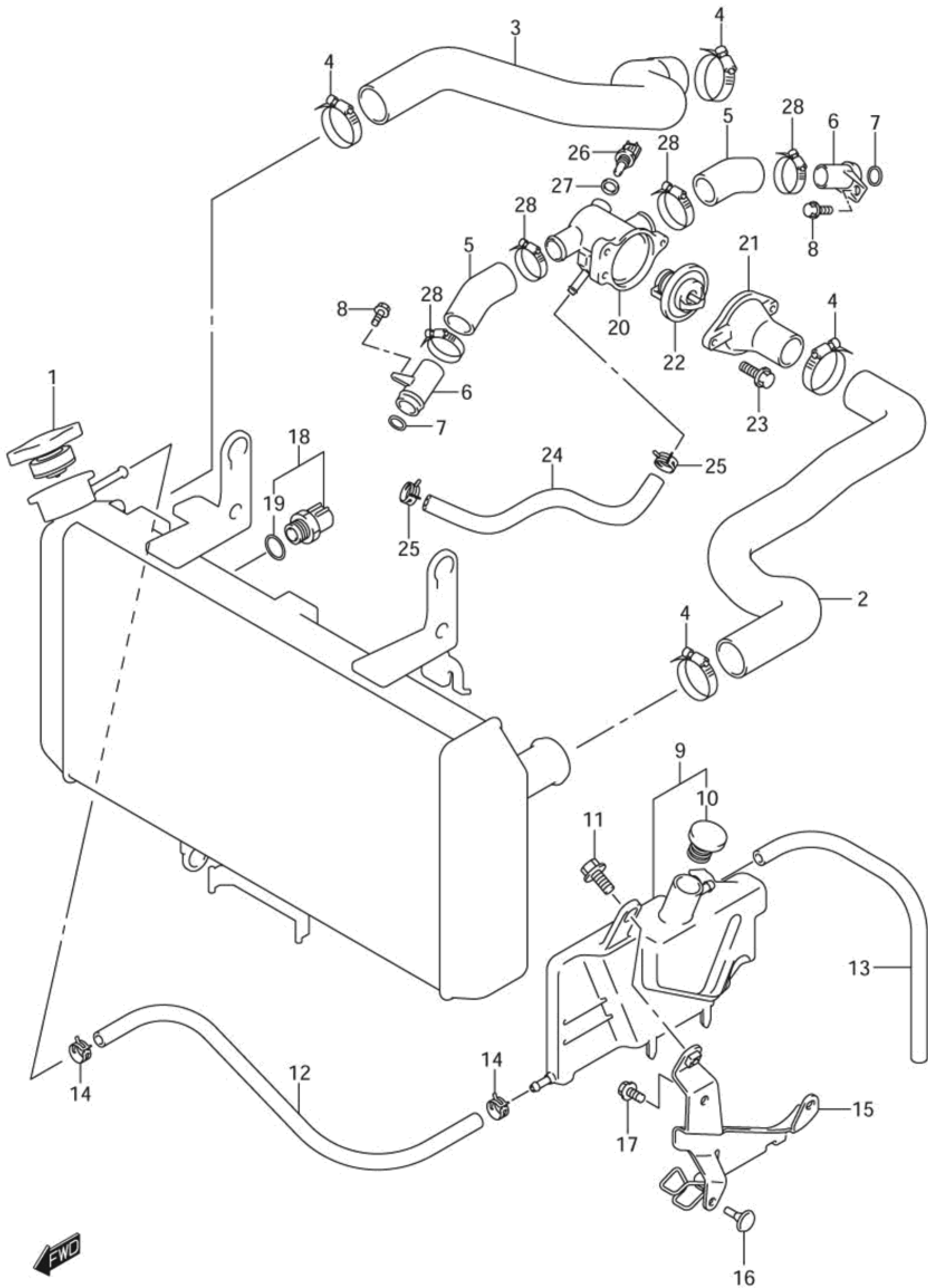
REF#	PART	#REQ	YOUR PRICE
1	PUMP ASSY,WATER 17400-19F50	1	\$127.70
2	CASE,WATER PUMP 17411-19F50	1	\$47.16
3	IMPELLERSHAFT 17491-19F40	1	\$24.82
4	SEAL,WATER PUMP 17470-02F10	1	\$13.88
5	OIL SEAL WATER 09283-10004	1	\$2.19
6	10X22X6 BEARING 08110-69000	2	\$8.66
7	RING 08332-11086	1	\$0.71
8	O RING 17418-19F00	1	\$2.61
9	O RING,WATER PU 17435-33400	1	\$3.03
10	SCREW 6X16 02112-06163	2	\$0.58
11	BOLT 17415-20920	1	\$3.35
12	GASKET 8.2X14X1 09168-08016	1	\$0.68
13	BOLT (6X55) 09103-06216	3	\$1.13
14	OIL PLUG O RING 09280-22001	2	\$0.58
15	CIRCLIP 08331-31106	1	\$0.74
16	GEAR,WATER PUMP 17461-19F00	1	\$16.41
17	SHIM,10X18X0.5 09181-10158	1	\$0.84
18	SHIFTING CAM PI 09261-04002	1	\$0.58
19	HOSE 09352-35653-600	1	\$5.15

FIG.19



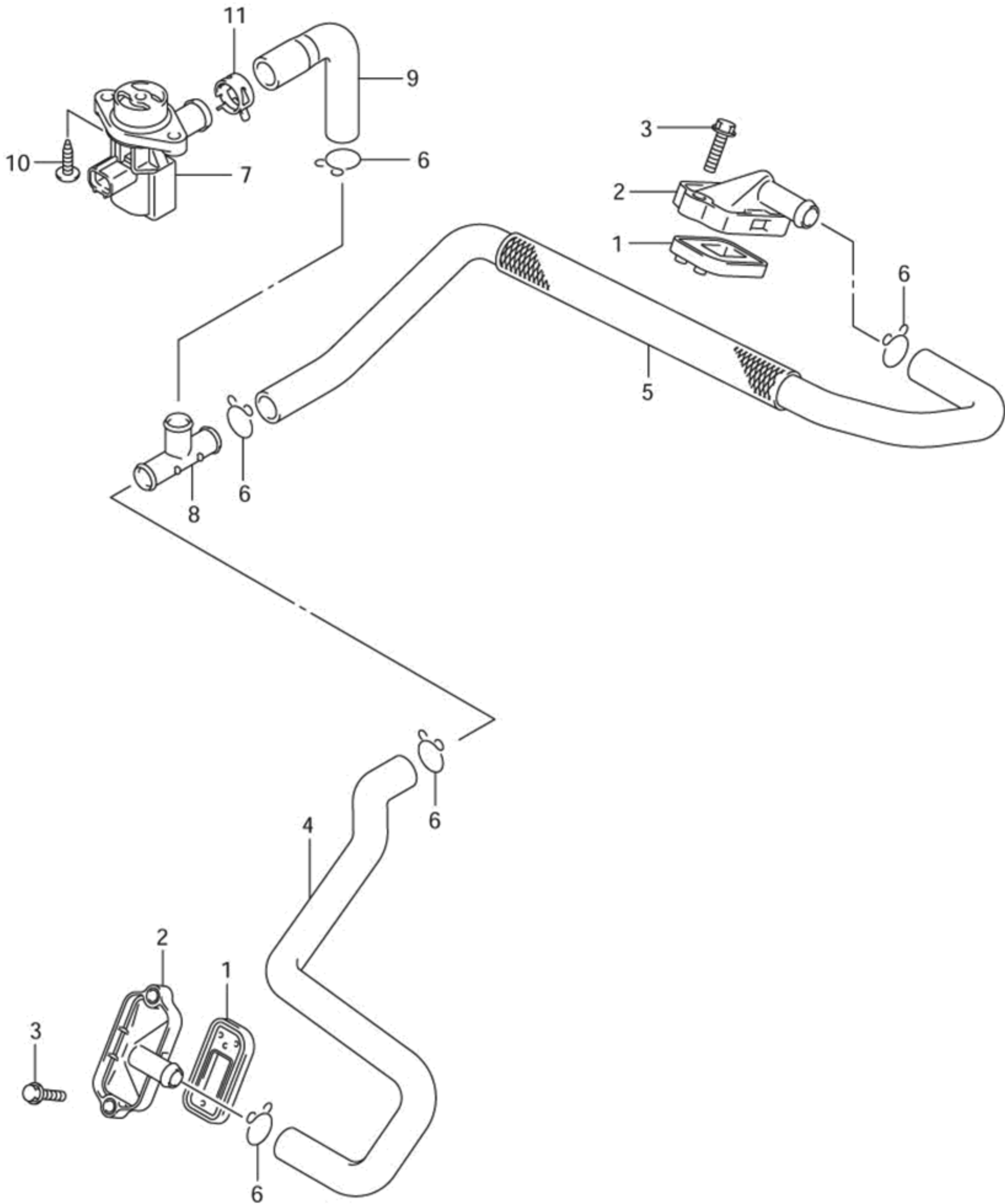
REF#	PART	#REQ	YOUR PRICE
1	RADIATOR ASSY,W 17710-27G00	1	\$344.44
2	FAN ASSY,RADIAT 17800-27G00	1	\$216.70
3	BOLT 01550-06103	3	\$0.84
4	NUT 09148-06015	3	\$1.26
5	CUSHION,RADIATO 09320-10051	3	\$1.29
6	SPACER,6.5X10X1 09180-06290	2	\$0.87
7	BOLT,6X25 09118-06097	2	\$1.07
8	SHIELD COMP,RAD 17760-27G00	1	\$17.69
9	RUBBER,RADIATOR 17781-17G00	1	\$3.54

FIG.20



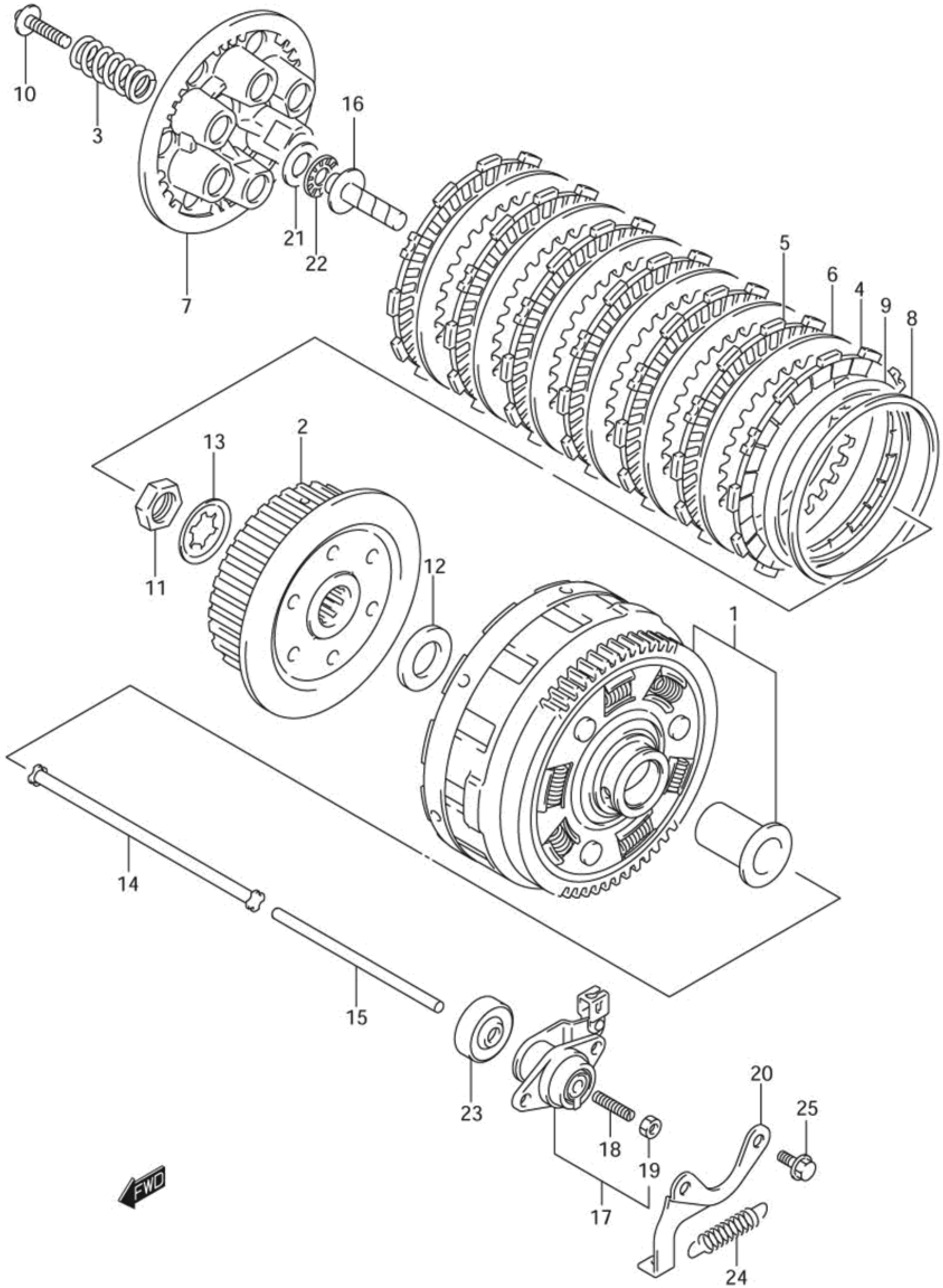
REF#	PART	#REQ	YOUR PRICE
1	CAP COMP,RADIAT 17730-12C20	1	\$19.31
2	HOSE,RADIATOR I 17851-27G00	1	\$15.92
3	HOSE,RADIATOR O 17852-27G00	1	\$11.88
4	CLAMP 09402-38511	4	\$5.15
5	HOSE,CONNECTOR 17853-19F00	2	\$6.60
6	UNION,CONN HOSE 17890-06G00	2	\$6.38
7	O RING D:3.2 ID 09280-18009	2	\$2.55
8	BOLT 07130-06123	2	\$1.07
9	TANK ASSY,RESER 17910-27G00	1	\$19.46
10	CAP,RESERVOIR T 17931-02FA0	1	\$2.48
11	BOLT 09111-06085	1	\$2.03
12	HOSE 5X9X2000 09352-50901-00B	1	\$11.53
14	CLIP 09401-08411	2	\$0.73
15	BRACKET COMP,RS 17920-27G00	1	\$9.05
16	CUSHION 09321-06026	1	\$1.16
17	BOLT 01550-06123	2	\$0.84
18	SWITCH COMP,FAN 17680-50F10	1	\$28.25
19	O RING 17689-50F00	1	\$1.07
20	CONNECTOR,THERM 17662-02F11	1	\$22.55
21	CAP,THERMOSTAT 17663-17G00	1	\$10.61
22	THERMOSTAT,WAT 17670-06G50	1	\$15.52
23	BOLT 01550-06163	2	\$0.84
24	HOSE,CONNECTOR 17856-19F00	1	\$6.44
25	CLAMP 09401-12409	2	\$1.74
26	SENSOR,WATER TE 13650-57F00	1	\$42.13
27	GASKET,12X17X1 09168-12017	1	\$0.87
28	CLAMP 09402-28511	4	\$3.03

FIG.21



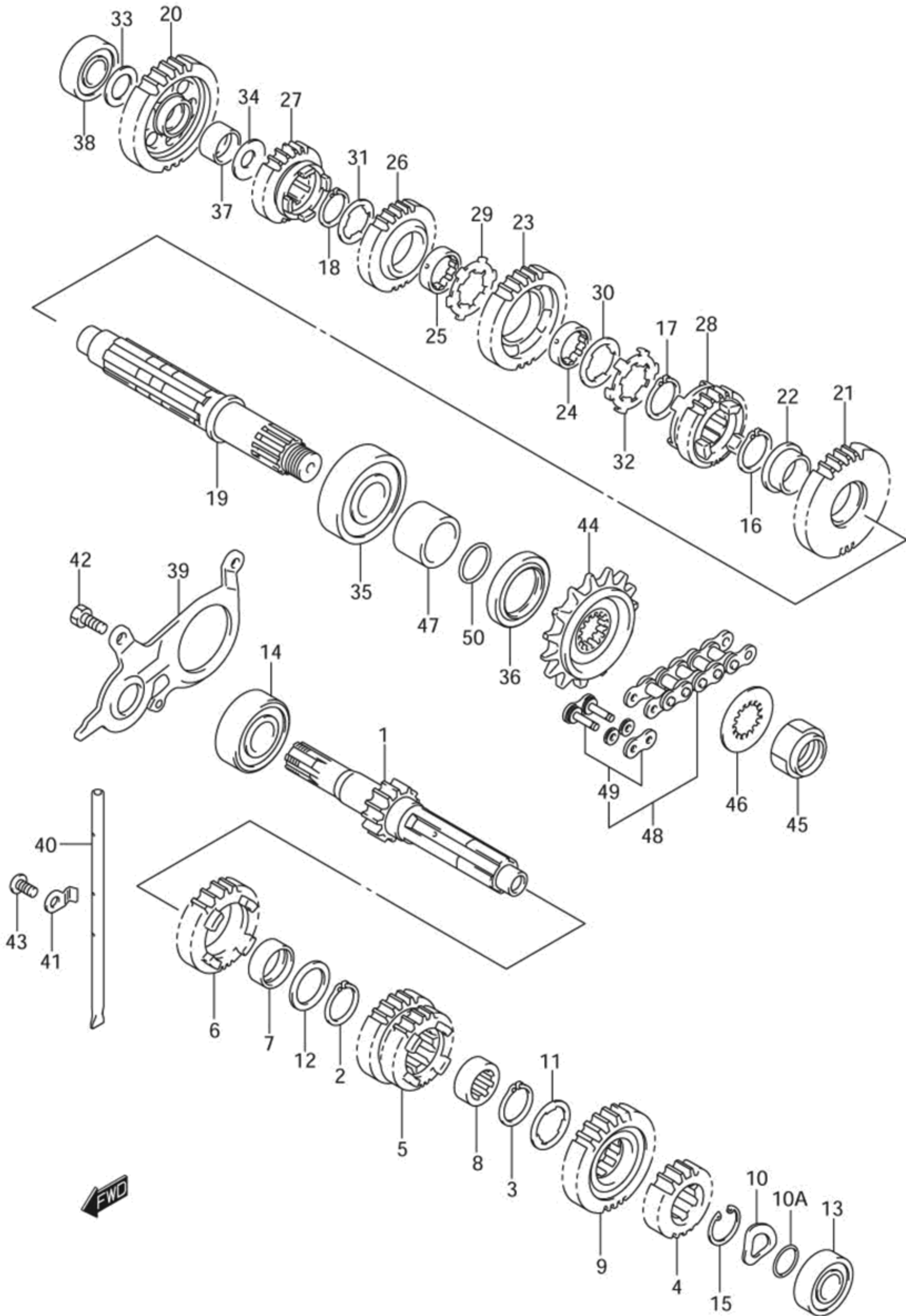
REF#	PART	#REQ	YOUR PRICE
1	VALVE ASSY,2ND 18450-06G00	2	\$14.17
2	COVER,2ND AIR 18531-06G01	2	\$5.93
3	BOLT,2ND AIR RE 09103-06217	4	\$1.13
4	HOSE,2ND AIR VA 18461-17G00	1	\$9.21
5	HOSE,2ND AIR VA 18471-17G00	1	\$10.82
6	CLIP,BREATHER T 09401-15101	5	\$0.94
7	VALVE ASSY,AIR 18510-27G00	1	\$42.78
8	JOINT 13855-18A03	1	\$2.39
9	HOSE,2ND AIR VA 18711-27G00	1	\$4.25
10	SCREW 03541-05203	2	\$0.71
11	CLAMP 09401-18304	1	\$0.93

FIG.22



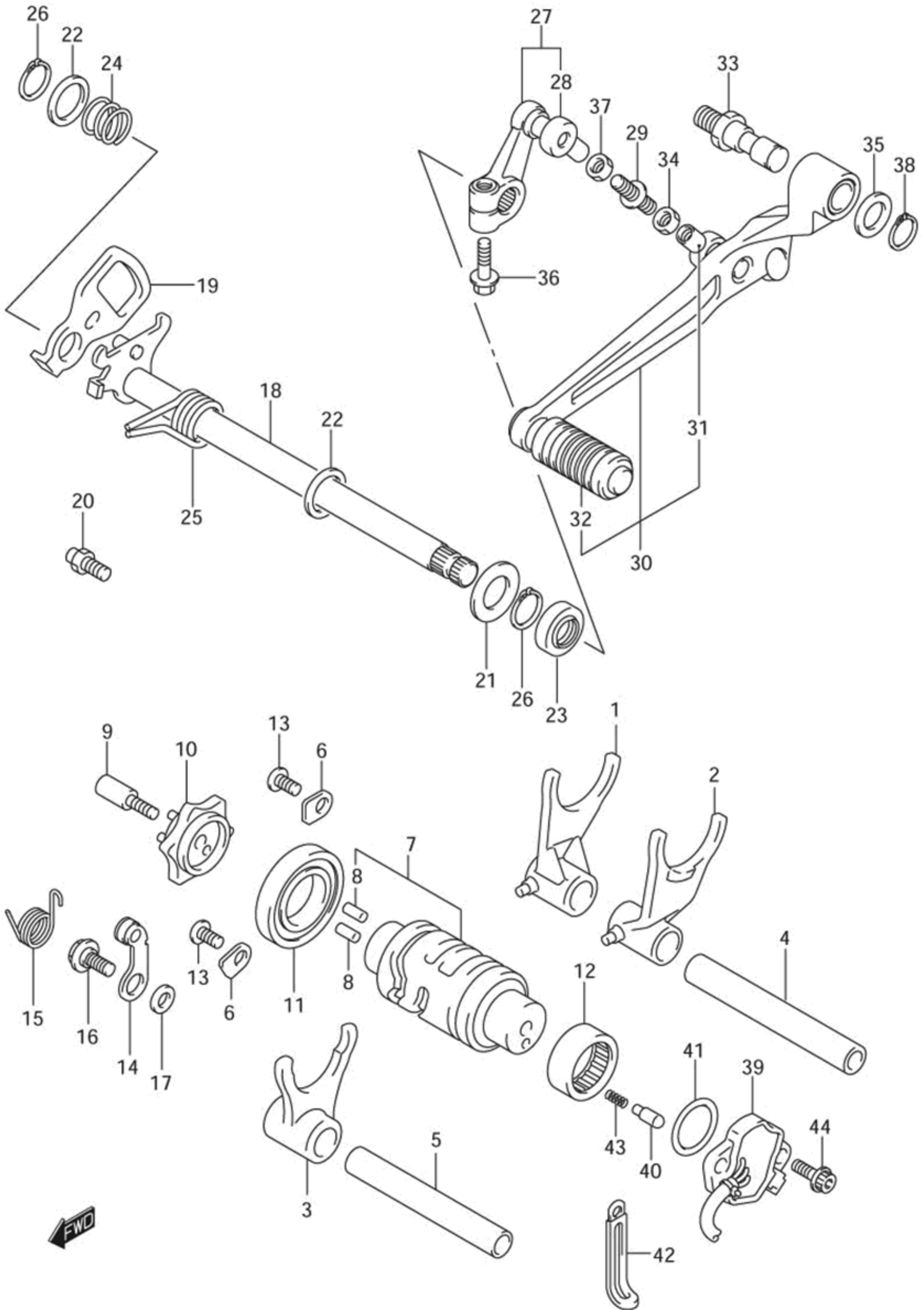
REF#	PART	#REQ	YOUR PRICE
2	HUB,CLUTCH SLEE 21411-44101	1	\$30.23
3	SPRING,CLUTCH 21413-17G01	6	\$2.96
4	PLATE,DRIVE NO. 21442-29F00	1	\$10.72
5	PLATE,CLUTCH DR 21441-29F20	6	\$12.67
6	PLATE,CLUTCH DR 21451-28C31	6	\$5.55
7	DISK,CLUTCH PRE 21462-14301	1	\$21.97
8	SEAT,WAVE WASHE 21471-17G00	1	\$4.54
9	WASHER,CLUTCH P 21472-17G00	1	\$8.27
10	BOLT 09116-06185	6	\$1.07
11	DRIVE SPROCKET 09140-20001	1	\$1.42
12	WASHER 20X36X3 09160-20067	1	\$3.48
13	ENG SPROCKET WA 09167-20009 (replaces 09167-20006)	1	\$0.87
14	ROD,CLUTCH PUSH 23110-44111	1	\$7.41
15	ROD,CLUTCH PUSH 23111-24A01	1	\$6.09
16	PIECE CLUTCH PU 23121-44100	1	\$9.69
17	SCREW ASSY,CLUT 23200-11D00	1	\$29.25
18	SCREW 09134-06010	1	\$1.29
19	NUT 08310-00067	1	\$0.75
20	SUPPORT,CL RLSE 23226-19F01	1	\$2.77
21	WASHER 09160-15045	1	\$1.68
22	RC 15X28X2 BRG 09263-15003	1	\$3.67
23	SEAL,OIL 6X34X5 09285-06015	1	\$3.48
24	CL REL ARM SPRI 09443-08001	1	\$0.71
25	BOLT 01500-06163	2	\$0.74

FIG.23



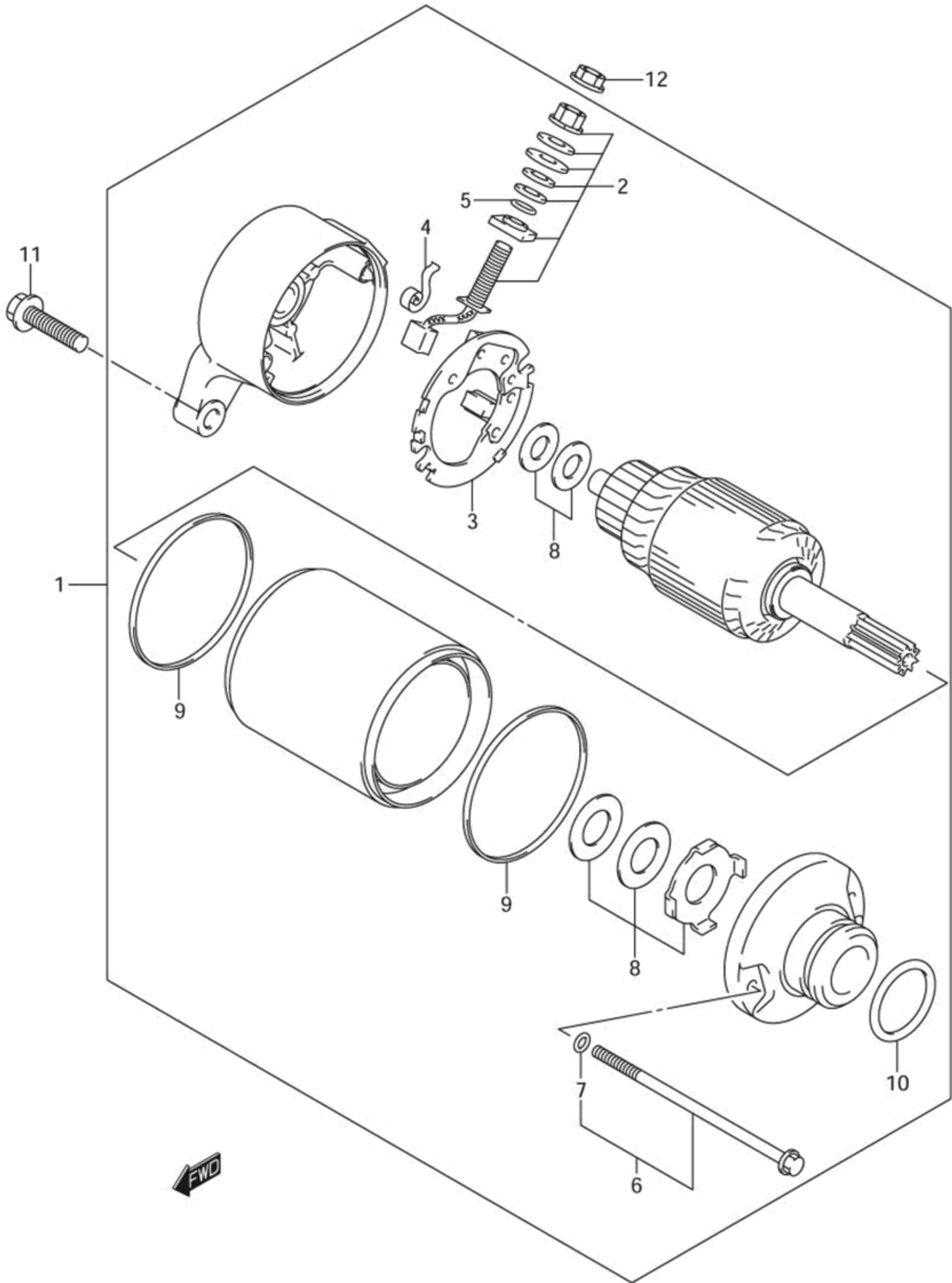
REF#	PART	#REQ	YOUR PRICE
1	SHAFT,COUNTER 24120-27G00	1	\$88.10
2	CIRCLIP 24127-19F00	1	\$1.32
4	GEAR,2ND DRIVE 24221-20F00	1	\$38.65
5	GEAR,3RD & 4TH 24231-20F02	1	\$52.27
6	GEAR,5TH DRIVE 24251-20F01	1	\$44.04
7	BUSH,5TH DRIVE 24252-19F00	1	\$6.44
8	BUSH,6TH DRIVE 24252-38A10	1	\$7.34
9	GEAR,6TH DRIVE 24261-20F00	1	\$48.48
10	WASHER,COUNTER 09164-17007	1	\$0.87
10A	SPROCKET SPC O 09280-17001	1	\$0.55
11	WASHER 09167-25021	1	\$1.26
12	WASHER,5TH DRIV 09181-25167	1	\$1.29
13	BEARING,17X40X1 09262-17046	1	\$13.93
14	B1 20X52X15 BEA 09262-20116	1	\$12.75
15	CIRCLIP 09380-25012	1	\$0.84
16	CIRCLIP 24127-19F00	1	\$1.32
19	SHAFT,DRIVE 24130-19F01	1	\$85.27
20	GEAR,1ST DRIVEN 24311-20F00	1	\$45.63
21	GEAR,2ND DRIVEN 24321-20F00	1	\$41.82
22	BUSH,2ND DRIVEN 24322-19F00	1	\$8.63
23	GEAR,3RD DRIVEN 24331-20F00	1	\$42.13
24	BUSH,3RD/4TH DR 24332-24510	1	\$6.80
26	GEAR,4TH DRIVEN 24341-20F00	1	\$45.63
27	GEAR,5TH DRIVEN 24351-20F01	1	\$45.63
28	GEAR,6TH DRIVEN 24361-20F00	1	\$46.90
29	LOCK WASHER 09167-25013	1	\$1.16
30	WASHER 09167-25021	1	\$1.26
32	LOCK WASHER 09169-25001	1	\$0.94
33	WASHER 09181-17195	1	\$1.23
34	SHIM,CRANKSHAFT 09181-20195	1	\$1.07
35	BEARING,25X62X1 09262-25125	1	\$25.37
36	OIL SEAL 36X50X 09283-36003	1	\$5.57
37	BUSH 09300-20032	1	\$6.09
38	B1 17X40X12 BEA 09262-17023	1	\$7.55
39	RETAINER,DRIVE 24751-19F00	1	\$5.44
40	GUIDE,T/M OIL 24881-12C20	1	\$4.86
41	RETAINER,TRANSM 24885-12C10	1	\$1.23
42	SCREW 01500-06123	3	\$0.71
43	SCREW 6X12 02112-06123	1	\$0.58
44	SPROCKET,ENGINE 27510-20F00	1	\$27.72
45	NUT 20MM 09159-20004	1	\$6.93
46	WASHER 09167-25027	1	\$0.84
47	SPACER,ENGINE S 27531-19F01	1	\$13.35
48	CHAIN ASSY,DIDS 27600-32C10-116	1	\$130.28
49	JOINT SET,CHAIN 27620-32C10	1	\$7.13
50	O-RING 09280-24010	1	\$2.45

FIG.24



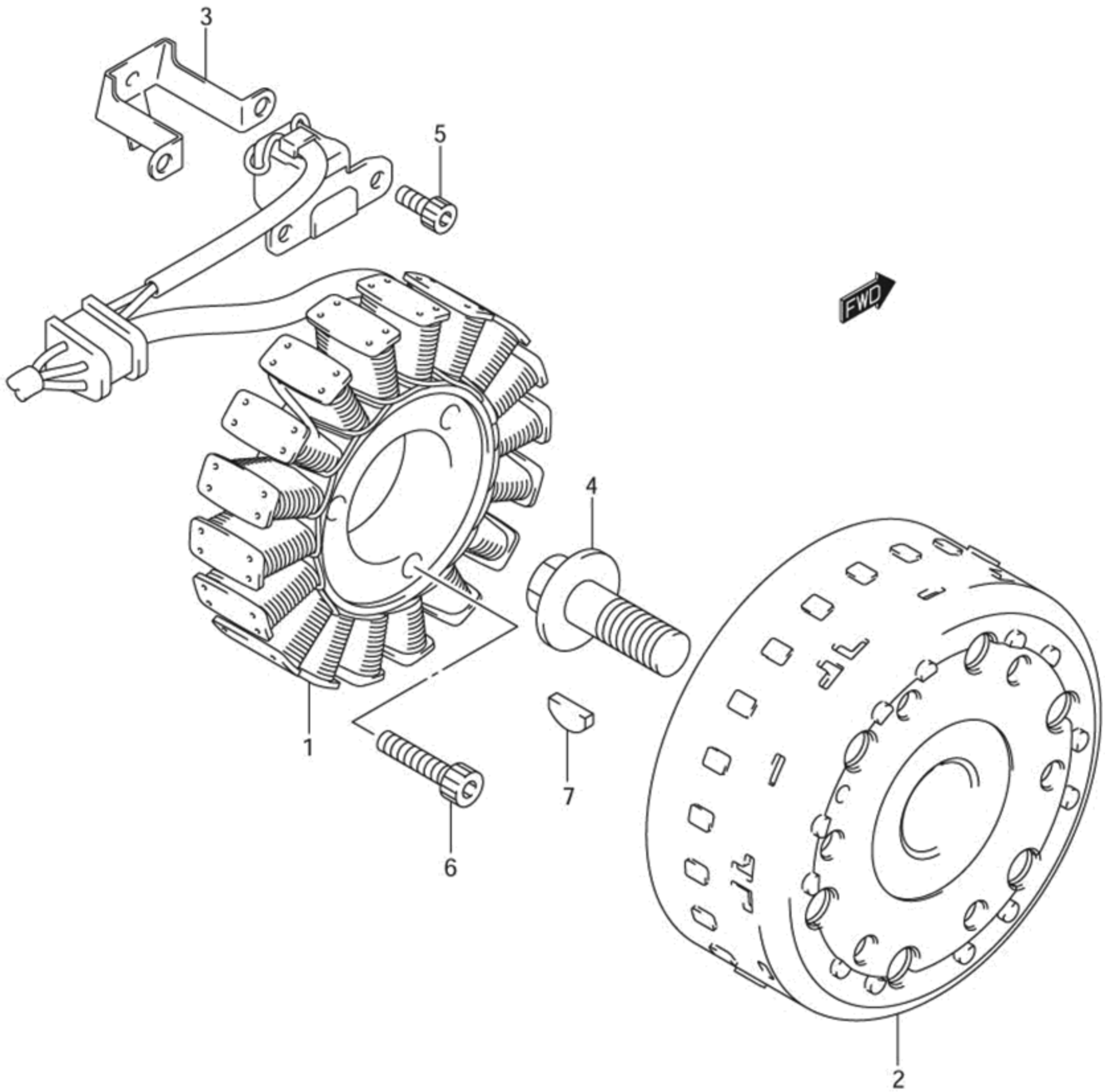
REF#	PART	#REQ	YOUR PRICE
1	FORK,GEAR SHIFT 25211-42E10	1	\$32.20
2	FORK,GEAR SHIFT 25221-42E10	2	\$32.20
3	FORK,GEAR SHIFT 25231-42E10	1	\$32.20
4	SHAFT,GEAR SHIF 25411-26D01	1	\$9.37
5	SHAFT,GEAR SHIF 25411-44B00	1	\$11.53
6	RETAINER,BEARIN 24741-21A00	2	\$1.19
7	CAM,GEAR SHIFT 25310-19F00	1	\$47.84
8	PIN 4X8 04221-04089	2	\$0.45
9	BOLT,GEAR SHIFT 25312-42F00	1	\$3.06
10	PLATE,GEAR SHIF 25381-19F10	1	\$20.88
11	B1 25X47X8 BRG 09262-25006	1	\$11.50
12	RN 25X32X12 BRG 09263-25018	1	\$9.66
13	SCREW 6X12 02112-06123	2	\$0.58
14	STOPPER,SHIFT C 25350-35F00	1	\$12.91
15	SPRING,SHIFT 25355-35F01	1	\$1.71
16	BOLT 09111-06041	1	\$1.07
17	WASHER GEAR SHI 08211-06141	1	\$0.67
18	SHAFT,GEAR SHIF 25510-19F10	1	\$38.03
19	PLATE,GEAR SHIF 25512-06G00	1	\$13.88
20	STOPPER,GEAR SH 25671-01011	1	\$2.00
21	K S SHAFT THR W 09160-14016	1	\$0.81
22	WASHER,GEAR SHI 09181-14167	2	\$1.07
23	SEAL,OIL,13X22X 09283-14006	1	\$2.93
24	SPRING 09440-17009	1	\$0.65
25	SPRING 09444-20001	1	\$2.29
26	CIRCLIP 08331-31146	3	\$0.81
27	ARM,GEAR SHIFT 25520-27G00	1	\$22.40
28	COVER,DUST 25526-47000	1	\$2.45
29	ROD,GEAR SHIFT 25525-27G00	1	\$4.44
30	LEVER ASSY,GEAR 25600-27G00	1	\$44.37
31	COVER,DUST 25526-47000	1	\$2.45
32	RUBBER,GEAR SHI 25652-20C00	1	\$2.45
33	SHAFT,GEAR SHIF 25617-03F00	1	\$5.64
34	NUT 09140-06025	1	\$0.71
35	SEAL WASHER 09160-12011	1	\$0.58
36	BOLT 6X20 01500-06203	1	\$0.49
37	NUT 08310-00067	1	\$0.75
38	CIRCLIP 08331-31126	1	\$0.71
39	BASE ASSY,GEAR 37730-20F00	1	\$46.89
40	K S PAWL ROLLER 09209-05011	2	\$0.81
41	O RING 09280-26007	1	\$2.97
42	CLAMP,L:82 09404-08206	1	\$1.26
43	K S PAWL SPRING 09440-04010	2	\$0.58
44	BOLT 07120-05163	2	\$0.91

FIG.25



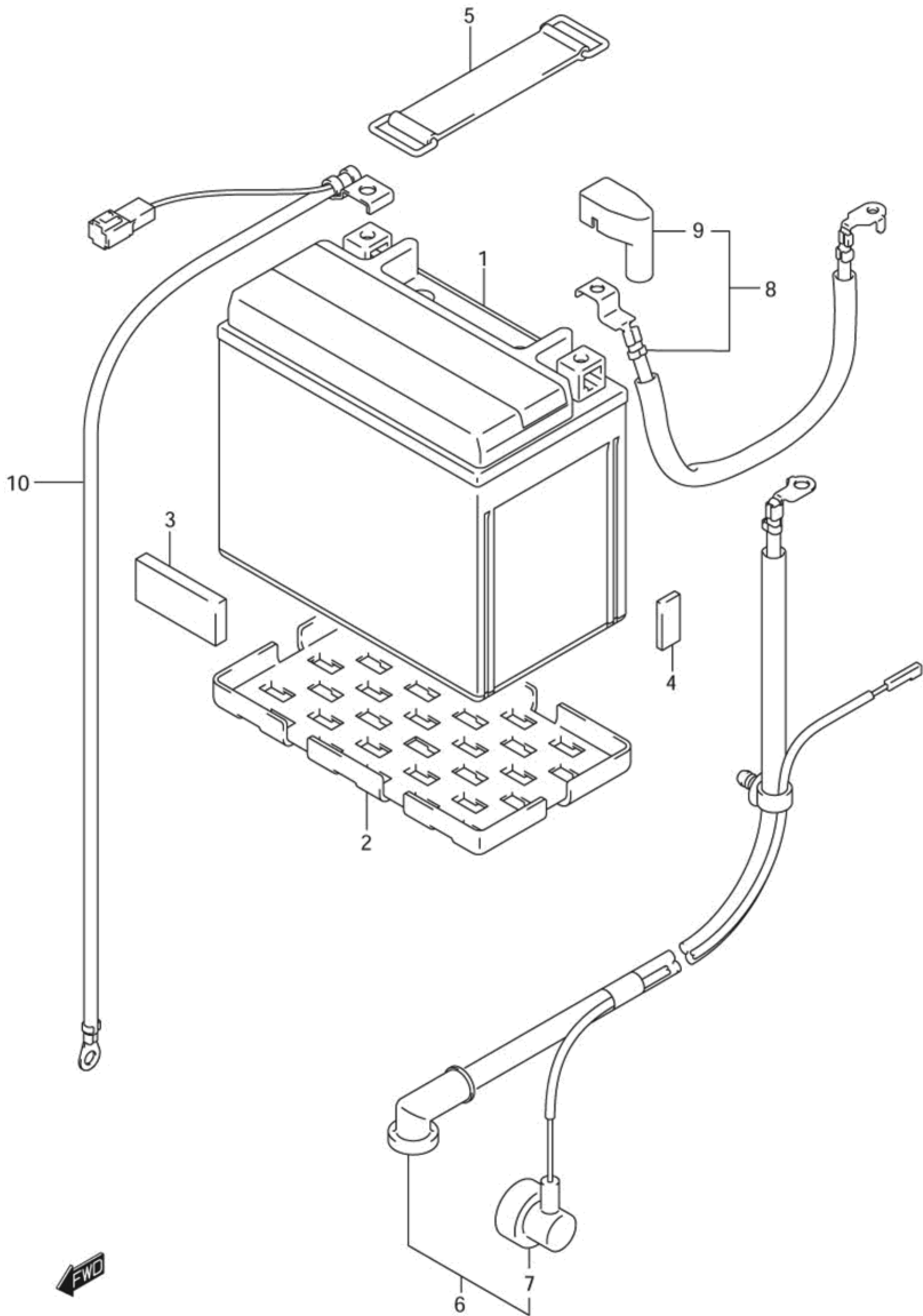
REF#	PART	#REQ	YOUR PRICE
1	MOTOR ASSY,STAR 31100-19F00	1	\$162.23
2	BRUSH,TERMINAL 31130-13E00	1	\$20.18
3	BRUSH HOLDER SE 31132-33E00	1	\$25.14
4	SPRING BRUSH 31135-31300	2	\$2.22
5	O-RING 31143-49040	1	\$1.61
6	SET BOLT ASSY 31280-19F00	2	\$7.41
7	O-RING 31156-13E00	2	\$1.61
8	SHIM SET,STARTI 31170-19B10	1	\$4.74
9	O-RING 31264-13E00	2	\$3.03
10	O RING,D:3.1,ID 09280-25002	1	\$0.81
11	BOLT 01547-06253	2	\$0.87
12	NUT 08361-35068	1	\$0.68

FIG.26



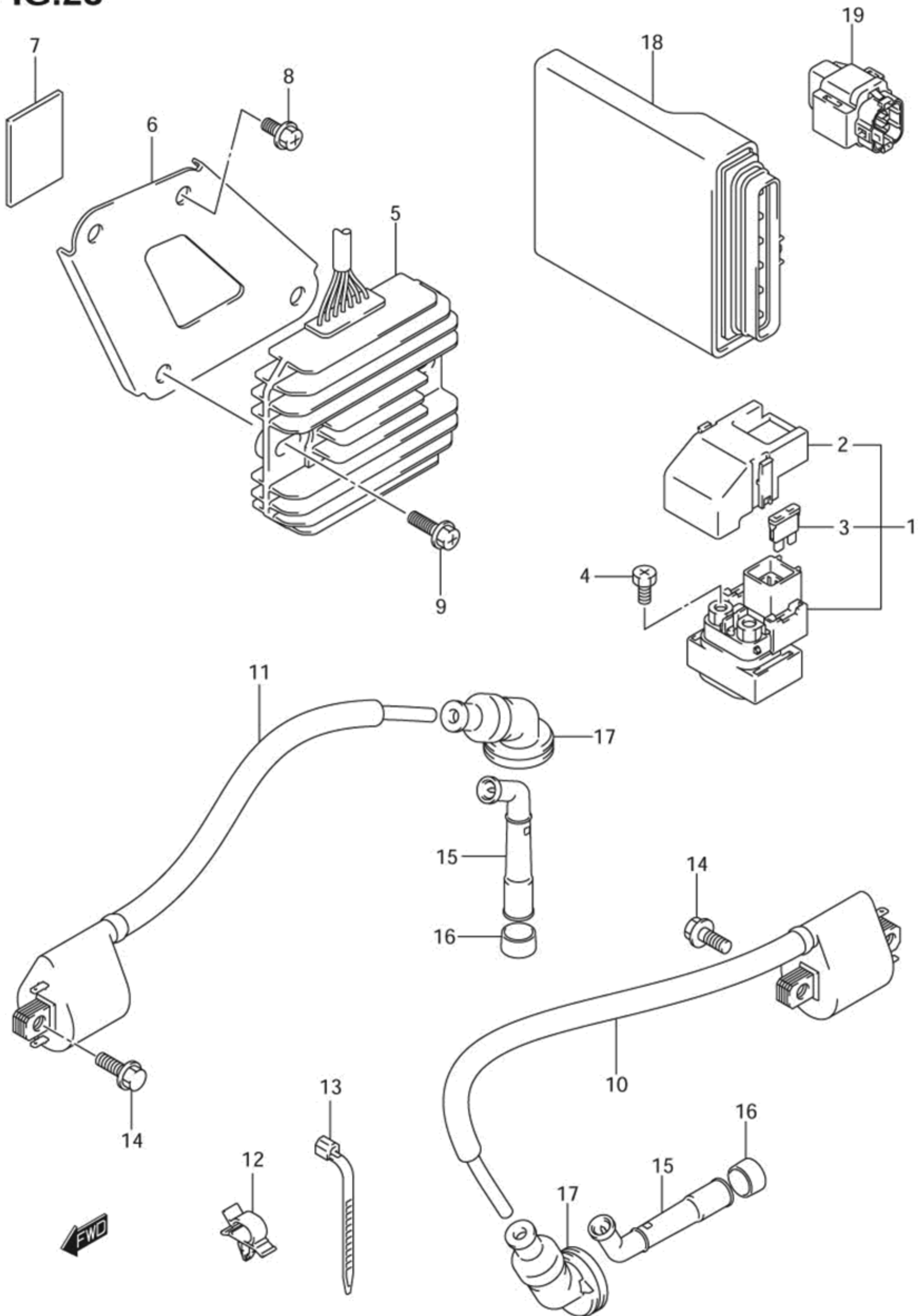
REF#	PART	#REQ	YOUR PRICE
1	STATOR ASSY 32101-17G00	1	\$162.53
2	ROTOR ASSY 32102-17G00	1	\$168.98
3	CLAMP,MAGNETO L 32371-19F00	1	\$2.42
4	BOLT,MAGNETO RO 32491-06G00	1	\$2.93
5	BOLT 07130-05123	2	\$0.91
6	BOLT 07130-06303	3	\$1.26
7	KEY 09420-04008	1	\$1.48

FIG.27



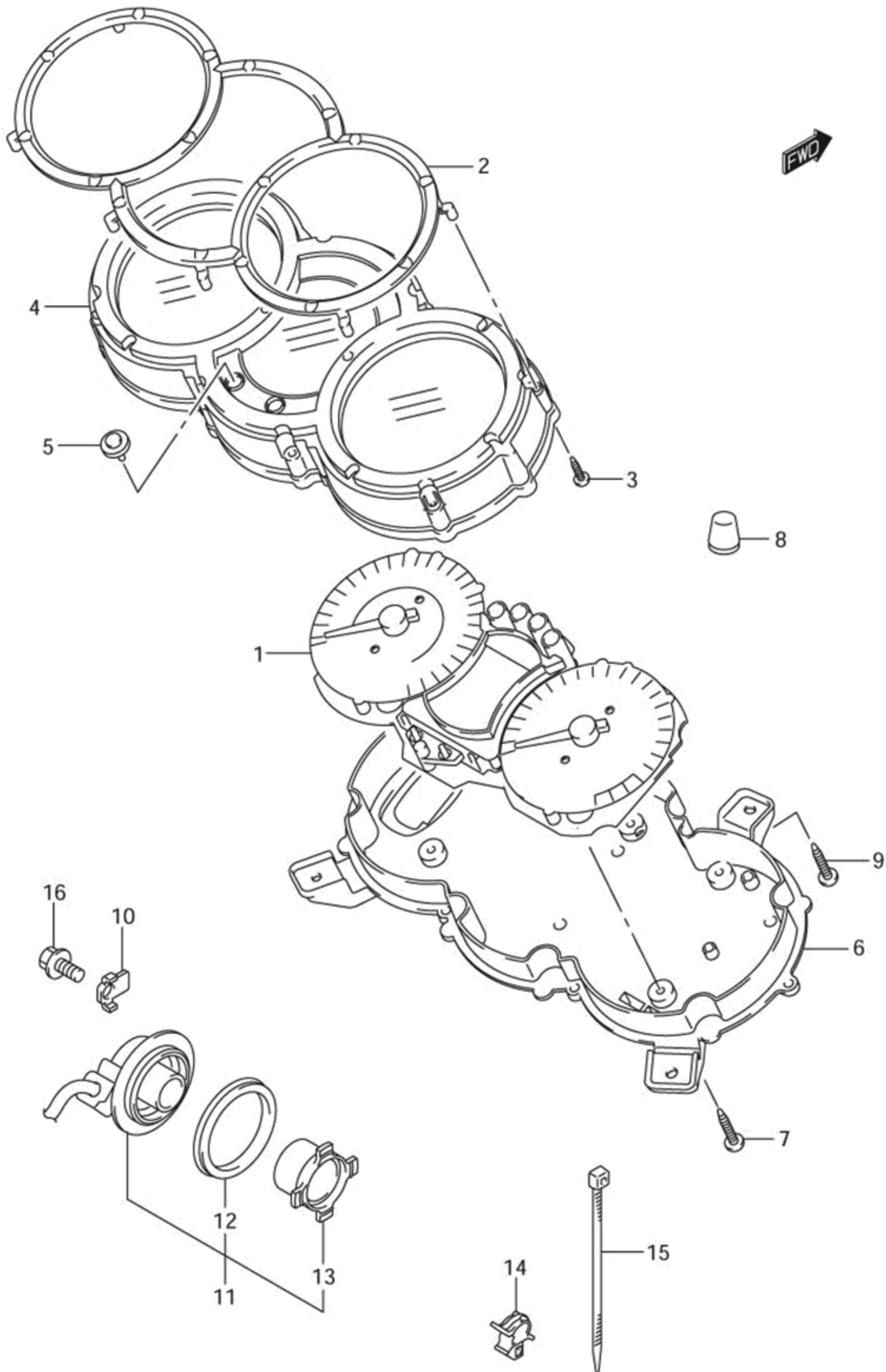
REF#	PART	#REQ	YOUR PRICE
2	PROTECTOR BATTE 33652-16G00	1	\$4.44
3	PROTECTOR,BATTE 33652-28010	1	\$1.26
4	BAT PROTECTOR N 33651-37000	1	\$2.00
5	BATTERY BAND 09462-00007	1	\$1.74
6	WIRE,STARTER MO 33810-27G00	1	\$21.23
8	WIRE,BATTERY PL 33820-06G00	1	\$13.64
9	CAP PLUS TERMIN 33624-43500 (replaces 33624-38400)	1	\$1.93
10	WIRE,BATTERY MI 33860-27G00	1	\$17.18

FIG.28



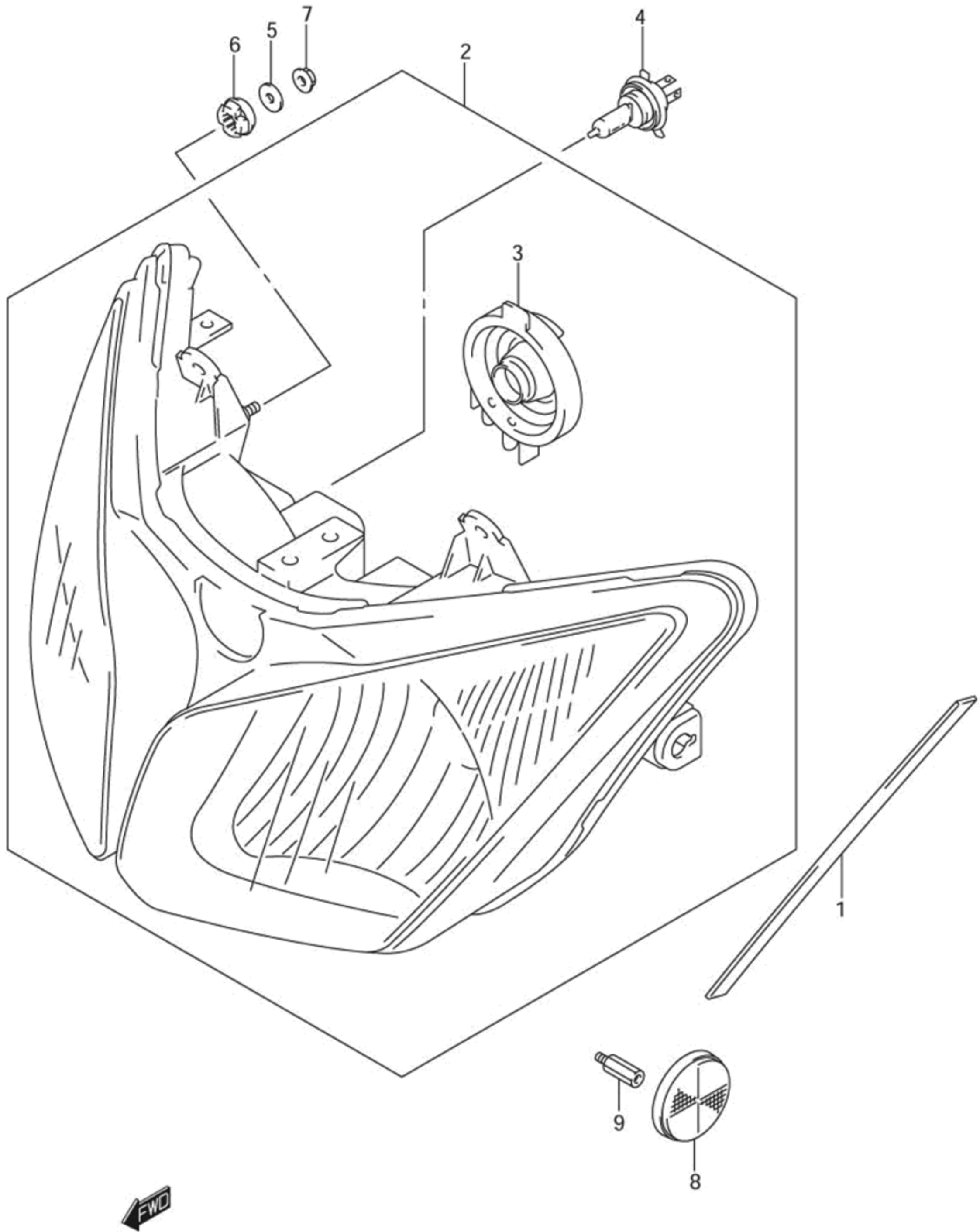
REF#	PART	#REQ	YOUR PRICE
1	RELAY ASSY,STAR 31800-06G00	1	\$42.13
2	COVER 31861-47E00	1	\$0.81
3	FUSE,30A 09481-30101	2	\$0.94
4	SCREW 09128-06013	2	\$0.52
5	RECTIFIER ASSY 32800-16G00	1	\$116.40
6	BRACKET,RECT FT 32831-27G00	1	\$4.09
7	BAT PROTECTOR N 33651-37000	1	\$2.00
9	BOLT 02162-06203	2	\$0.68
10	COIL ASSY,IGNIT 33410-17G00	1	\$39.88
11	COIL ASSY,IGNIT 33420-17G00	1	\$40.23
12	CLAMP 09403-10319	1	\$1.48
13	CLAMP,WIRING HA 09407-18402	1	\$0.91
14	BOLT6X20 01547-06203	4	\$0.87
15	CAP ASSY,SPARK 33510-17G00	2	\$15.41
16	SEAL,SPARK PLUG 33541-23E01	2	\$2.84
17	SEAL,HIGH TENSI 33542-17G00	2	\$3.03
18-1	CONTROL UNIT,FI 32920-27G20	1	\$524.15
18-2	CONTROL UNIT,FI 32920-27G40	1	\$524.15
19	SENSOR ASSY,FUE 33960-27G00	1	\$37.08

FIG.29



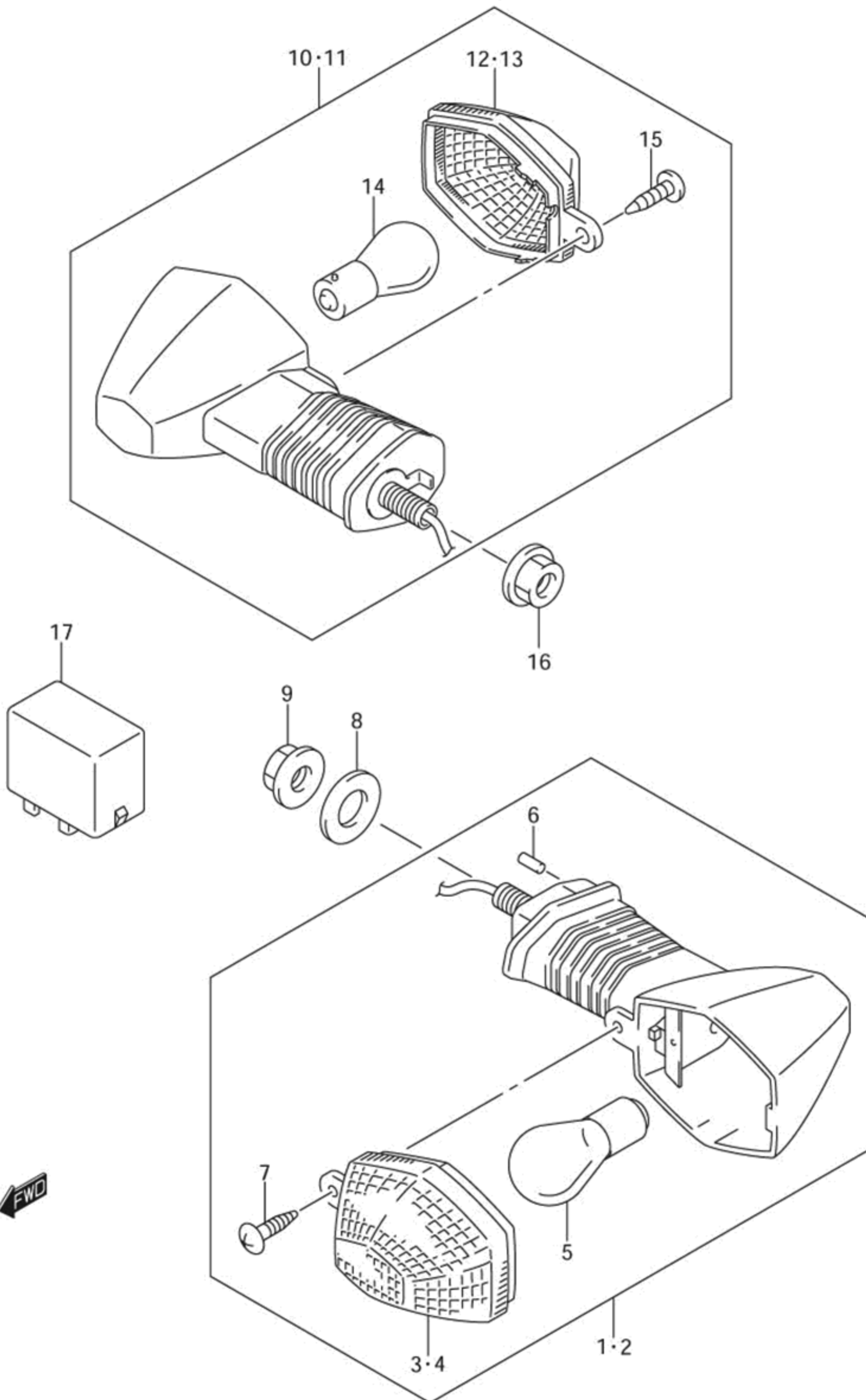
REF#	PART	#REQ	YOUR PRICE
1-1	SPEEDOMETER 34120-27G10	1	\$239.83
3	SCREW,2.3X8 34183-31F10	8	\$1.29
4	CASE,UPPER 34150-27G00	1	\$58.16
5	SWITCH,LEVER 34124-24F00	2	\$3.32
6	CASE,LOWER 34111-27G00	1	\$27.68
7	SCREW,L:16 09132-03008	14	\$0.58
8	CUSHION,SPEEDOM 34955-10G00	2	\$1.68
9	SCREW 03541-05203	4	\$0.71
10	GUIDE,SENSOR LE 34938-14F00	1	\$2.26
11	SENSOR COMP,SPE 34990-27G00	1	\$86.63
12	SEAL 09286-44001	1	\$5.15
13	MAGNET 34983-27G00	1	\$14.31
14	CLAMP,ACCEL CAB 09403-07327	1	\$1.29
15	CLAMP 09407-14407	3	\$1.26
16	BOLT 6X12 BLK 8 01547-06123	2	\$0.87

FIG.30



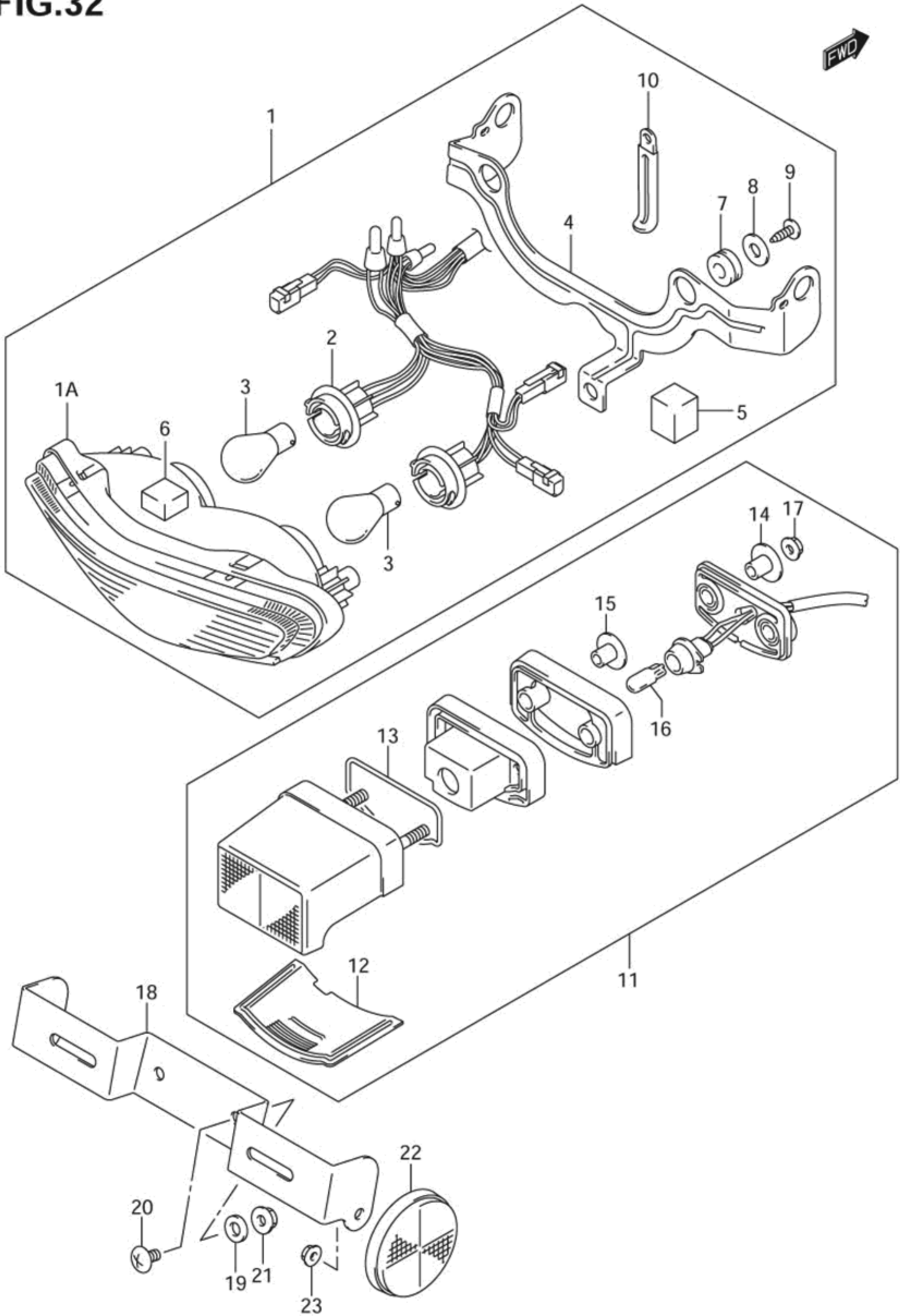
REF#	PART	#REQ	YOUR PRICE
1	CUSHION, HEADLA 33652-06G10	2	\$1.29
2	HEADLAMP ASSY 35100-06G30-999	1	\$190.91
3	COVER, SOCKET 35125-77A00	2	\$6.02
4	BULB(12V60/55W, 09471-12182	2	\$28.27
5	WASHER 6.5X20X1 09160-06088	4	\$0.65
6	CUSHION RR COMB 09320-09010	4	\$1.16
7	NUT 08310-00063	4	\$0.78
8	REFLECTOR, REFLE 35950-14A00	2	\$6.93
9	BOLT 09119-05023	2	\$4.61

FIG.31



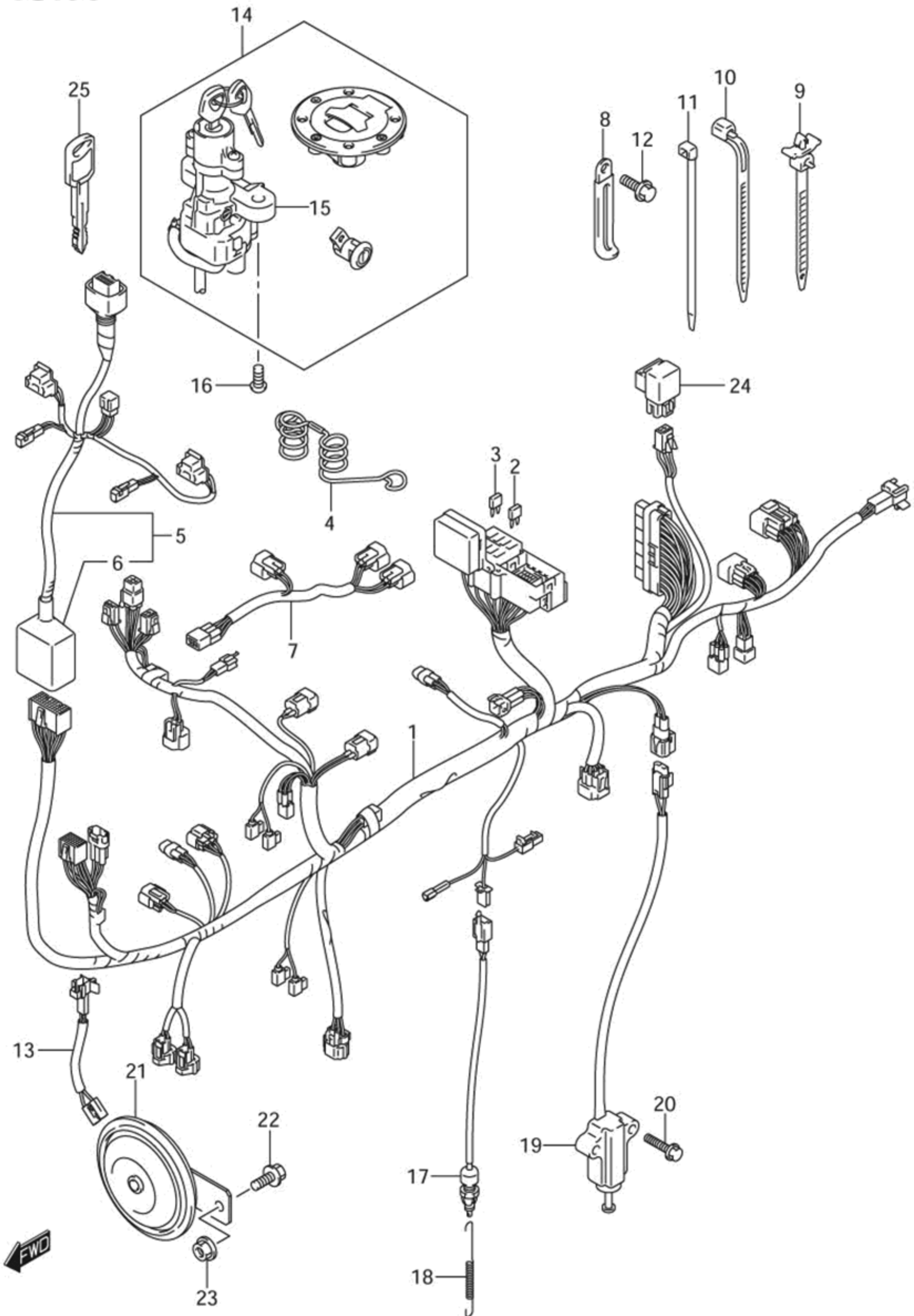
REF#	PART	#REQ	YOUR PRICE
1	LAMP ASSY,FRONT 35601-27G00	1	\$34.60
2	LAMP ASSY,FRONT 35602-27G00	1	\$34.51
3	LENS 35612-31F30	1	\$5.41
4	LENS 35632-31F30	1	\$5.41
5	BULB 12V,21W 09471-12045	2	\$0.93
6	PIN,CRANK BAL D 09202-04017	2	\$1.29
7	SCREW 03242-04163	2	\$0.91
8	WASHER,12.5X30X 09160-12092	2	\$0.87
9	NUT 08316-10123	2	\$0.94
10	LAMP ASSY,REAR 35603-27G00	1	\$34.51
11	LAMP ASSY,REAR 35604-27G00	1	\$34.51
12	LENS 35632-31F30	1	\$5.41
13	LENS 35612-31F30	1	\$5.41
14	BULB 12V,21W 09471-12045	2	\$0.93
15	SCREW 03242-04163	2	\$0.91
16	NUT 08316-10123	2	\$0.94
17	URNSIG/FUELPMP 38610-03F00	1	\$46.90

FIG.32



REF#	PART	#REQ	YOUR PRICE
1	LAMP ASSY,REAR 35710-27G30	1	\$71.15
1A	UNIT 35720-06G30	1	\$30.77
3	BULB 12V21/5W 09471-12128 (replaces 09471-12083)	2	\$0.94
7	CUSHION 09320-10049	2	\$0.97
8	WASHER 09160-05501	2	\$0.78
9	SCREW 03242-05163	2	\$0.90
10	CLAMP 09404-06432	1	\$0.91
12	LENS 35912-08F00	1	\$3.80
13	GASKET 35913-08F00	1	\$2.13
14	SPACER 35766-30950	2	\$0.84
15	SPACER 35766-08F00	2	\$1.71
16	BULB 09471-12216	1	\$2.58
17	NUT 08316-10063	2	\$0.84
18	BRACKET,LICENSE 35927-06G00	1	\$6.38
19	WASHER 6.3X15X1 09160-06128	2	\$0.81
20	SCREW M6X1X12 02142-06123	2	\$0.55
21	NUT 08316-10063	2	\$0.84
22	REFLECTOR ASSY, 35970-14A20	2	\$6.93
23	NUT 08316-10053	2	\$0.91

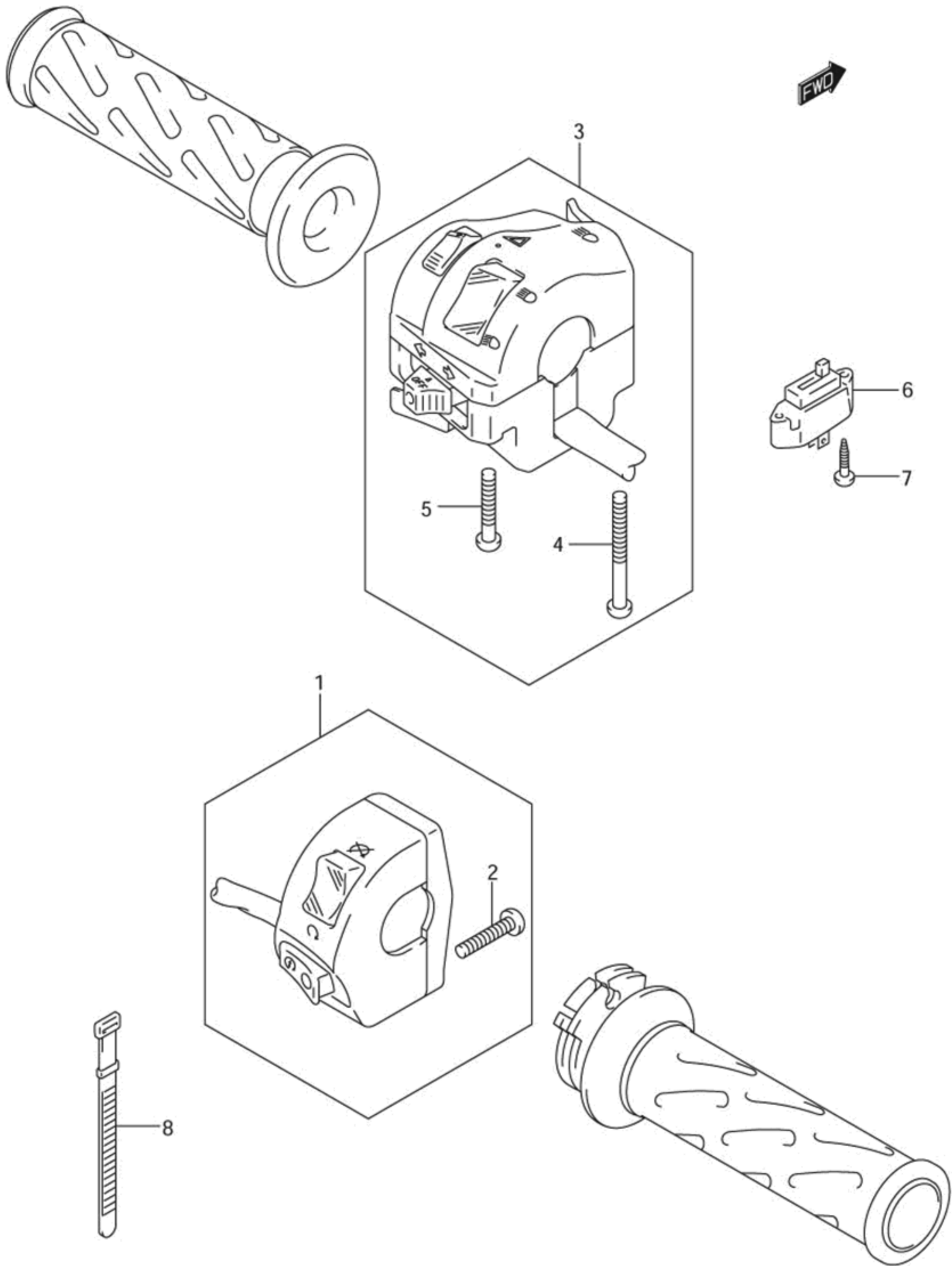
FIG.33



DL650K4 E03 E28_033
WIRING HARNESS

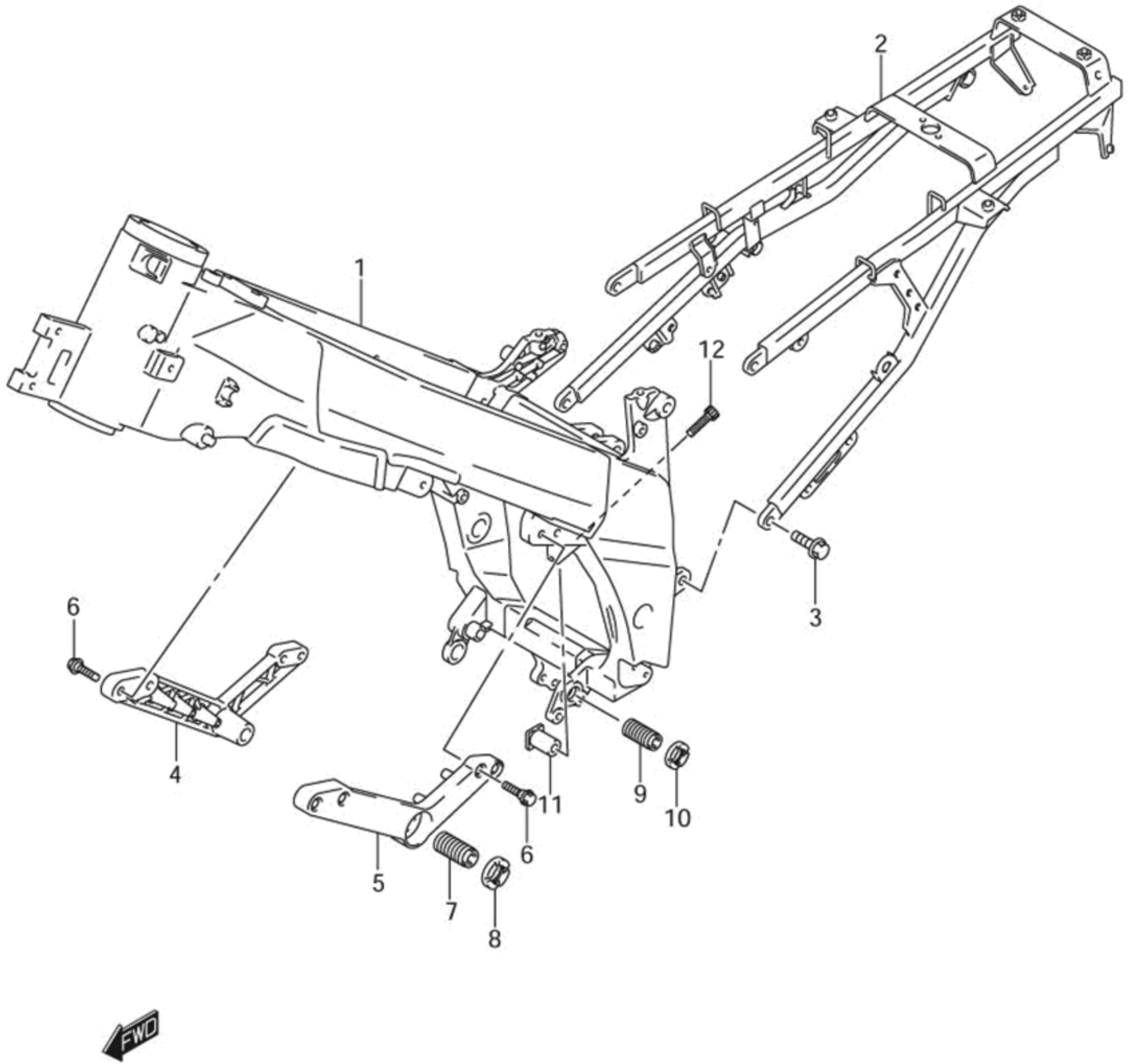
REF#	PART	#REQ	YOUR PRICE
1	HARNES, WIRING 36610-27G30	1	\$324.48
2	FUSE 09481-10501	2	\$0.87
3	FUSE 09481-15501	4	\$0.87
4	GUIDE, WIRING HA 36619-06G01	1	\$7.08
5	HARNES, WIRING 36620-27G30	1	\$77.81
6	COVER, CONNECTOR 36618-18G10	1	\$4.80
8-1	CLAMP 09404-06429	1	\$0.75
8-2	CLAMP 09404-06432 (replaces 09404-06431)	1	\$0.91
9	CLAMP 09407-11402	1	\$0.71
10	CLAMP 09407-14403	3	\$0.88
11	CLAMP 09407-14407	1	\$1.26
12	BOLT 01547-06103	1	\$0.87
13	WIRE, HORN LEAD 36852-06G00	1	\$6.57
14-1	LOCK SET 37000-27860	1	\$172.84
14-2	LOCK SET 37000-27870	1	\$178.00
15	LOCK ASSY, STEER 37100-27G00	1	\$82.65
16	BOLT 09139-08016	2	\$1.42
17	SWITCH ASSY, STO 37740-31D00	1	\$12.59
18	BRAKE SWITCH SP 09443-06012	1	\$1.26
19	SWITCH ASSY, SID 37840-06G00	1	\$38.02
20	BOLT 01550-06163	2	\$0.84
21	HORN ASSY 38500-27G00	1	\$29.43
22	BOLT 01550-08123	1	\$0.97
23	NUT 08316-10083	1	\$0.94
24	RELAY ASSY, FUEL 38740-24X50	1	\$20.72
25	KEY, BLANK 37146-33E00	1	\$9.76

FIG.34



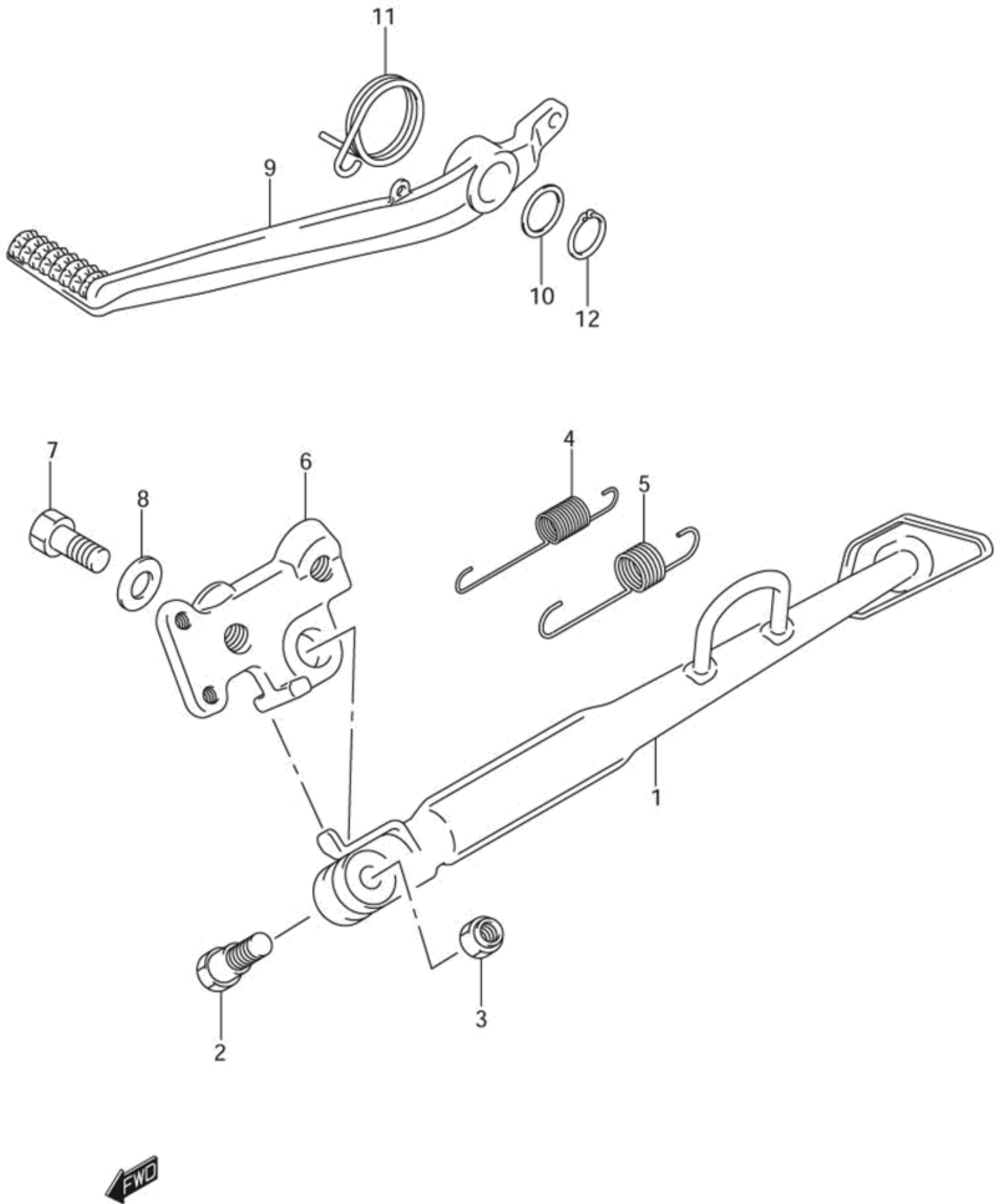
REF#	PART	#REQ	YOUR PRICE
1	SWITCH ASSY,HAN 37200-06G30	1	\$59.35
3	SWITCH ASSY,HAN 37400-27G10	1	\$78.10
4	SCREW 02112-05455	1	\$0.58
5	SCREW 09125-05066	1	\$0.58
6	SWITCH ASSY,CLU 37560-31F00	1	\$8.50
7	SCREW 09132-03017	2	\$0.87
8	MUD GUARD CLAMP 09407-12402	2	\$1.26

FIG.35



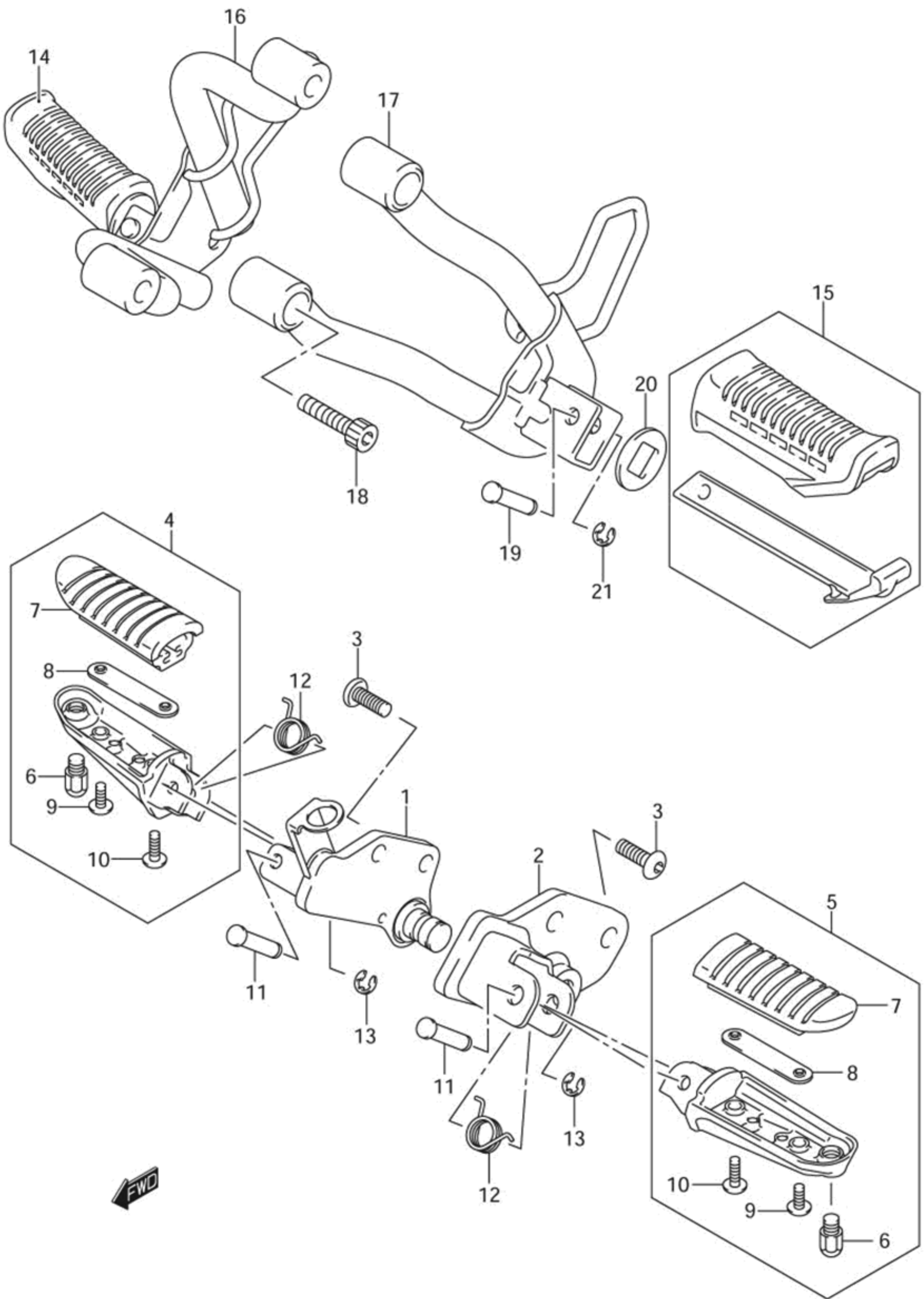
REF#	PART	#REQ	YOUR PRICE
1	FRAME COMP 41100-27G00-YD8	1	\$1,669.79
2	RAIL COMP,SEAT 41200-06G50	1	\$314.49
3	BOLT 01550-10303	4	\$1.48
4	BRACKET,ENGINE 41911-06G51-YD8	1	\$136.83
5	BRACKET,ENGINE 41912-06G51-YD8	1	\$136.83
6	BOLT 09106-08121	8	\$1.26
7	BOLT,CRANK CASE 41923-16G00	1	\$11.32
8	NUT,CRANK CASE 41922-19F00	1	\$12.11
9	BOLT,CASE LWR & 41921-16G00	1	\$8.50
10	NUT,CRANK CASE 41922-33E00	1	\$8.15
11	SPACER,MOUNTING 41941-19F01	1	\$14.65
12	BOLT 09106-08168	1	\$1.32

FIG.36



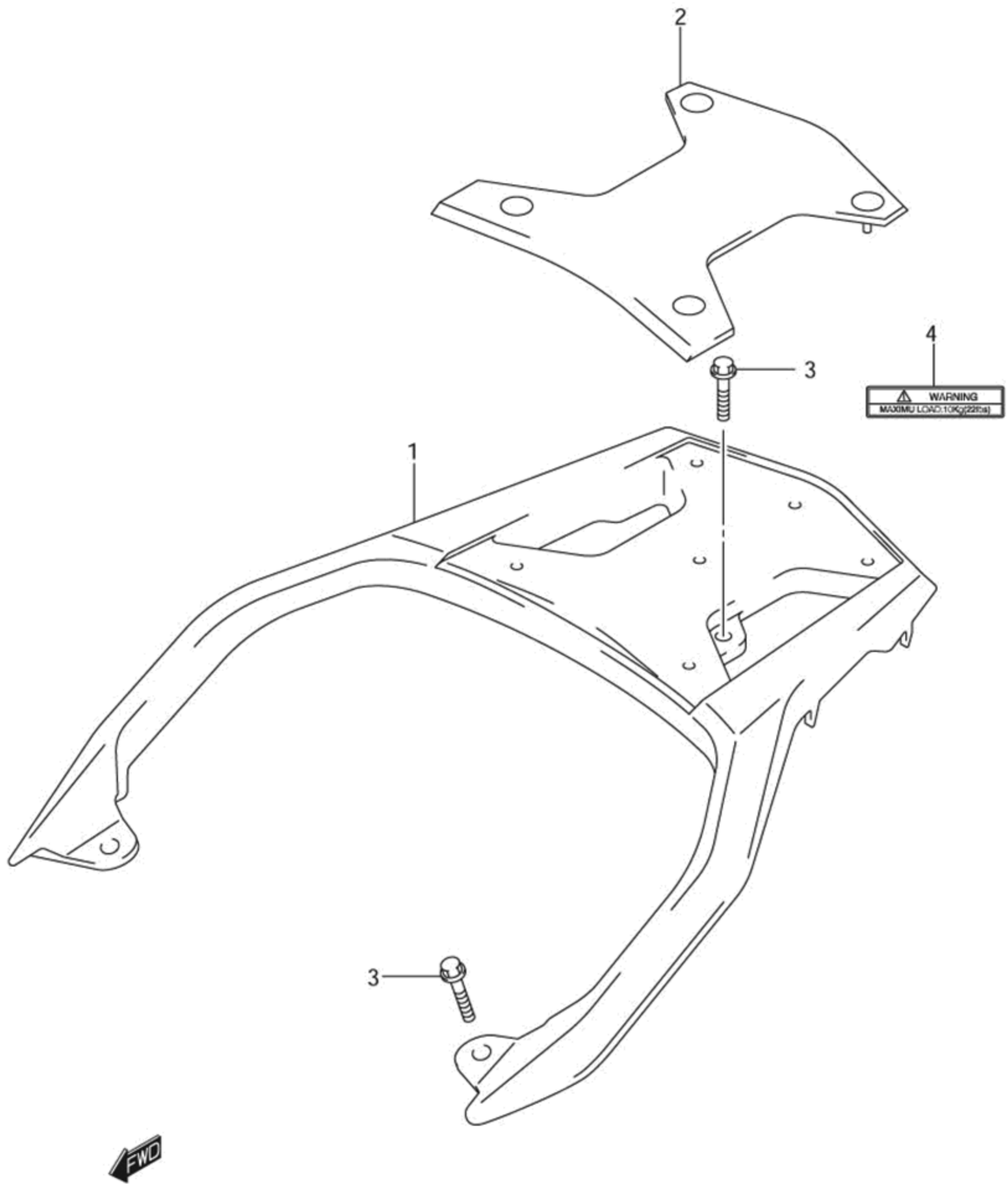
REF#	PART	#REQ	YOUR PRICE
1	STAND COMP,PROP 42310-06G50	1	\$60.86
2	BOLT,10X37.5 09111-10058	1	\$2.77
3	NUT,PROP STAND 42321-03FK0	1	\$2.35
4	SPRING, INNER 09443-14058	1	\$2.45
5	SPRING 09443-19011	1	\$2.42
6	BRACKET COMP,PR 42330-06G50	1	\$39.62
7	BOLT 09100-12084	2	\$2.13
8	WASHER 12.5X24X 09160-12061	2	\$0.71
9	PEDAL,BRAKE 43111-27G00	1	\$50.71
10	WASHER,18X24X1 09160-18022	1	\$1.19
11	SPRING,BRAKE PE 09448-41005	1	\$1.77
12	CIRCLIP 08331-31186	1	\$0.81

FIG.37



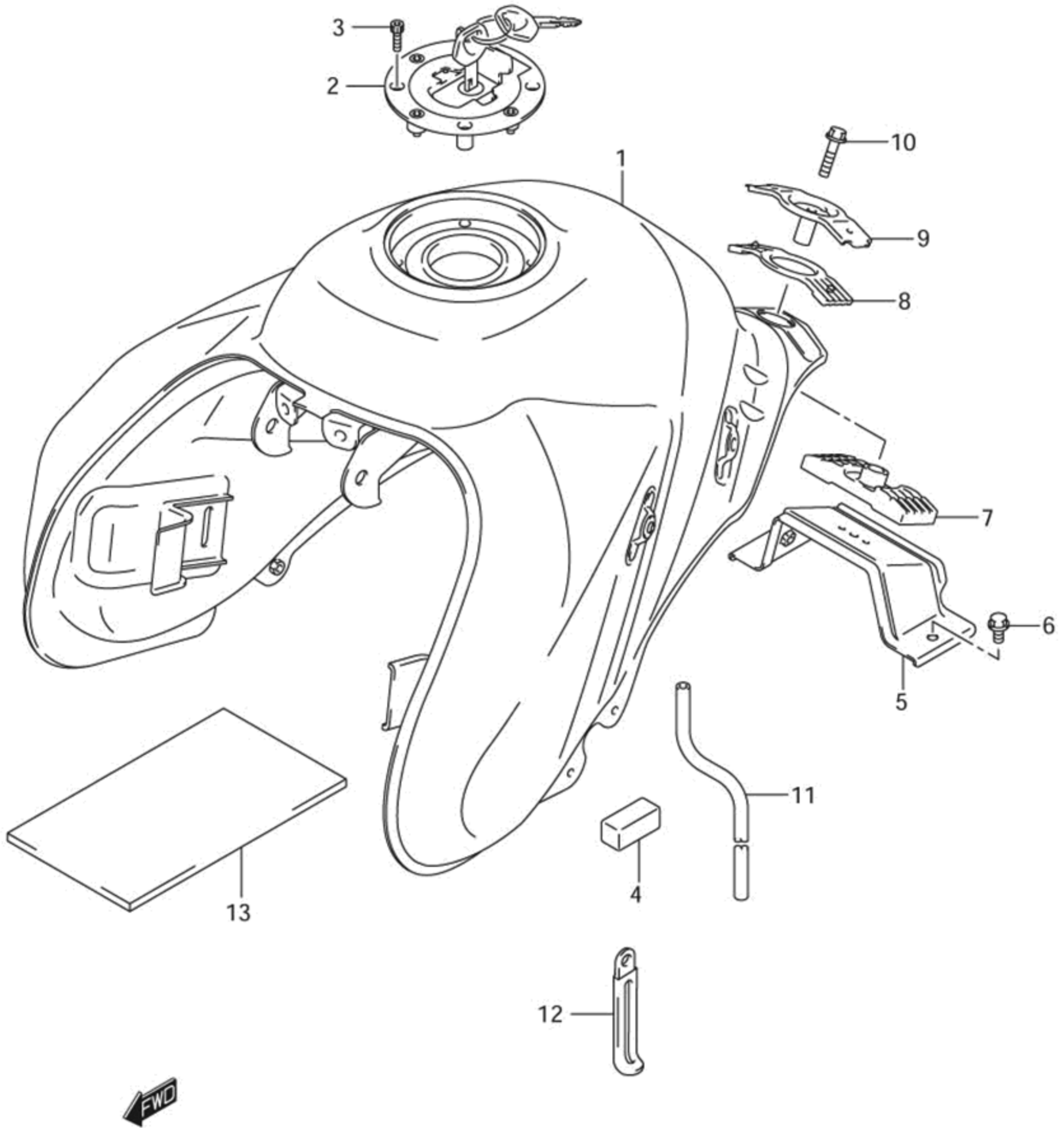
REF#	PART	#REQ	YOUR PRICE
1	BRACKET COMP,FR 43510-27G00	1	\$34.86
2	BRACKET,FR FOOT 43520-27G00	1	\$29.58
3	BOLT 09106-08150	4	\$1.48
4	FOOTREST ASSY,P 43501-06G01	1	\$39.93
5	FOOTREST ASSY,P 43502-06G01	1	\$39.93
6	BOLT,BANK SENSO 43576-07D01	2	\$4.03
7	RUBBER,FOOTREST 43551-06G00	2	\$6.38
8	PLATE,FR FOOTRE 43552-06G00	2	\$4.61
9	SCREW 02142-05163	2	\$0.58
10	SCREW 5 X 20 02142-05203	2	\$0.55
11	PIN 09208-08010	2	\$1.19
12	SPRING 09448-18022	2	\$1.65
13	E RING 6MM 08332-11063	2	\$0.58
14	FOOTREST,PILLIO 43600-12B00	1	\$12.40
15	FOOTREST,PILLIO 43700-12B00	1	\$12.40
16	BRACKET,PILLION 43810-27G00	1	\$50.71
17	BRACKET,PILLION 43820-27G00	1	\$50.71
18	BOLT 09106-08074	4	\$1.61
19	PIN 09208-06005	2	\$1.16
20	WASHER,FTREST R 43631-34A01	2	\$1.93
21	E RING 08332-11043	2	\$0.55

FIG.38



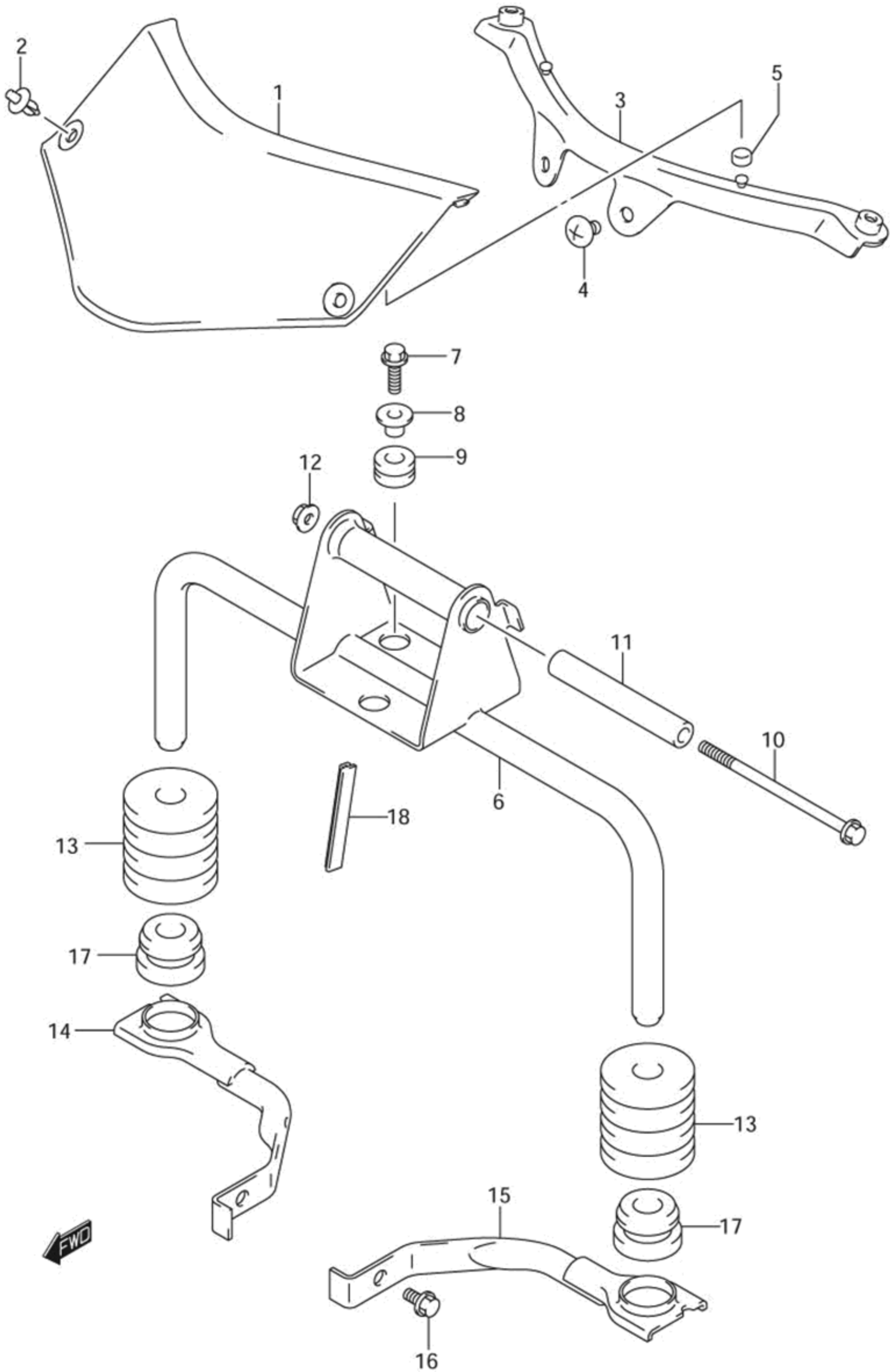
REF#	PART	#REQ	YOUR PRICE
1	CARRIER,SPORT 46311-06G00-YD8	1	\$148.34
2	MAT,SPORT CARRI 46321-06G00	1	\$15.94
3-1	BOLT 09103-08391	4	\$1.06
3-2	BOLT,8X30 09103-08341	4	\$1.42
4-1	LABEL,WARNING L 68391-06G00	1	\$3.19

FIG.39



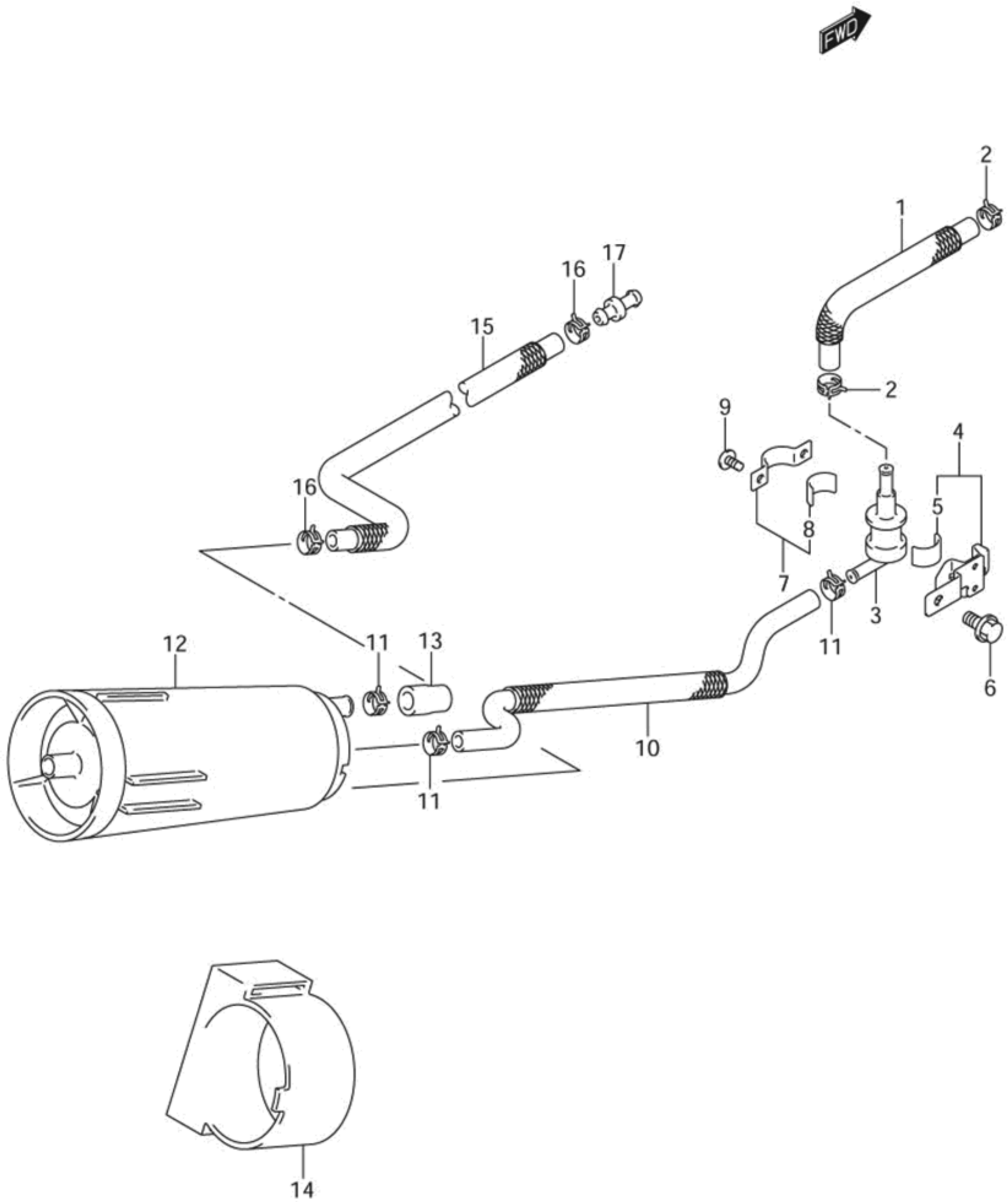
REF#	PART	#REQ	YOUR PRICE
1-2	TANK COMP,FUEL 44110-06G00-YAY	1	\$561.59
1-3	TANK COMP,FUEL 44110-06G00-YBB	1	\$561.59
1-5	TANK COMP,FUEL 44110-06G20-YAY	1	\$561.59
1-6	TANK COMP,FUEL 44110-06G20-YBB	1	\$561.59
2-1	CAP SET,FUEL TA 44201-33820	1	\$100.09
2-2	CAP SET,FUEL TA 44200-33830	1	\$101.89
3	BOLT, L:20 09106-05017	4	\$1.16
4	CUSHION,FUEL TA 44541-06G00	2	\$3.03
5	BRACKET,FUEL TA 44550-06G01	1	\$17.34
6	BOLT 01550-08163	2	\$0.97
7	CUSHION,FUEL TA 44545-06G00	1	\$6.73
8	CUSHION,FUEL TA 44542-06G00	1	\$6.02
9	BRACKET COMP,FU 44530-06G00	1	\$8.86
10	BOLT 8X35 01550-08353	1	\$1.13
11	HOSE,FUEL TANK 44423-06G00	1	\$8.86
12	CLAMP 09404-06432	1	\$0.91
13	SHIELD,FUEL TAN 44194-27G00	1	\$13.09

FIG.40



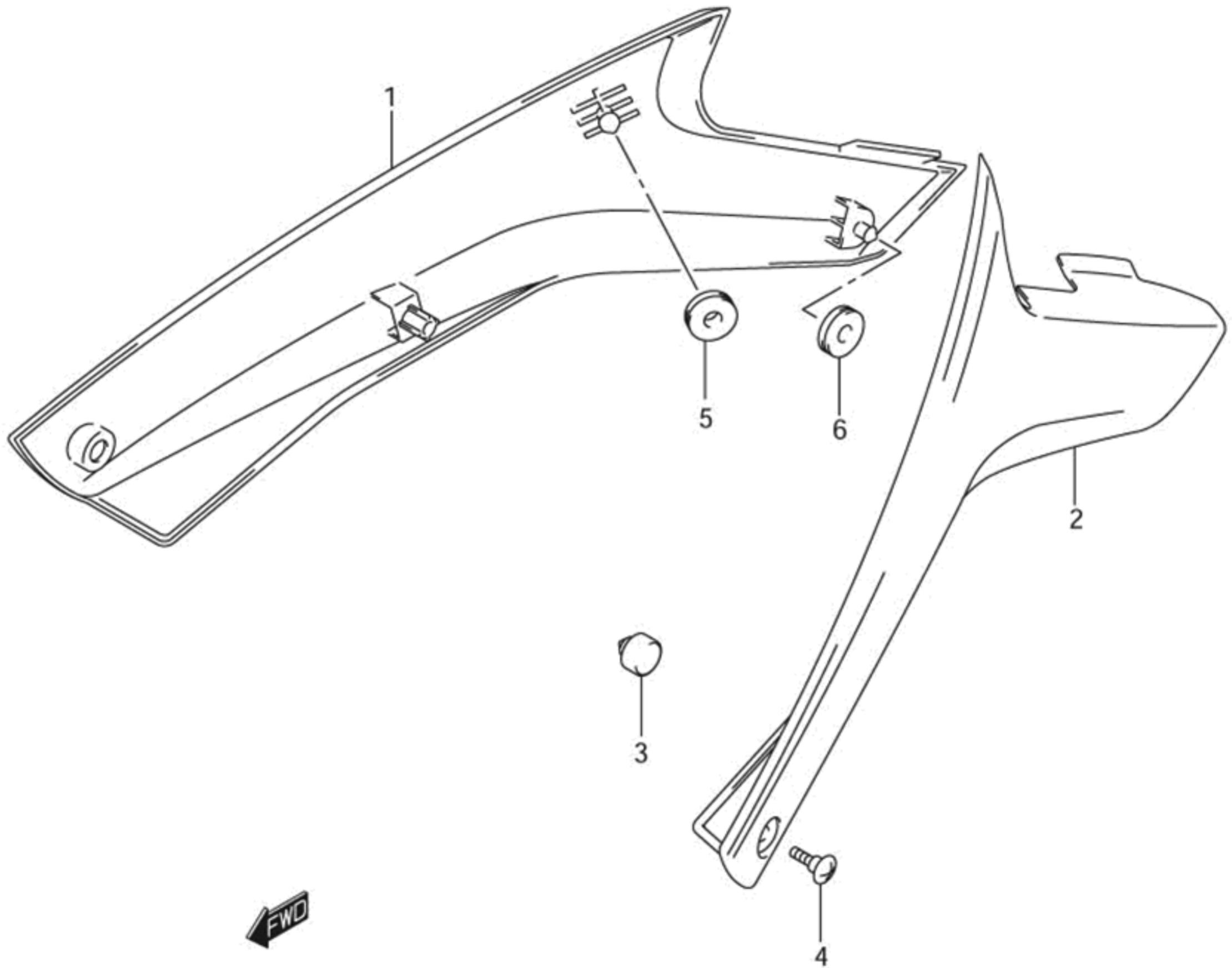
REF#	PART	#REQ	YOUR PRICE
1	COVER,FUEL TANK 44171-06G10-291	1	\$14.15
2	CLIP(BLACK) 09409-06314-5PK	2	\$1.15
3	BRACKET COMP,FR 44160-06G00	1	\$17.34
4	SCREW M6X1X12 02142-06123	2	\$0.55
5	CUSHION,FUEL TA 44164-06G00	2	\$1.77
6	BRACKET COMP,FU 44520-06G00	1	\$26.32
7	BOLT 01550-06203	3	\$0.84
8	WASHER,THROTTLE 09169-06062	3	\$1.03
9	CDI UNIT CUSHIO 09320-08001	3	\$1.16
10	BOLT 01550-06953	1	\$1.48
11	SPACER,FUEL TAN 44561-35F00	1	\$6.12
12	NUT,LICENSE PLA 08319-31063	1	\$0.87
13	CUSHION,FUEL TA 44511-06G00	2	\$4.96
14	BRACKET COMP,FR 44560-06G00	1	\$12.04
15	BRACKET COMP,FR 44570-06G00	1	\$12.04
16	BOLT 01550-06123	2	\$0.84
17	CUSHION 09320-12054	2	\$1.61
18-1	MOLDING 68241-04X50-00B	2	\$12.59
18-2	MOLDING 68241-04X50-300	2	\$3.19

FIG.41



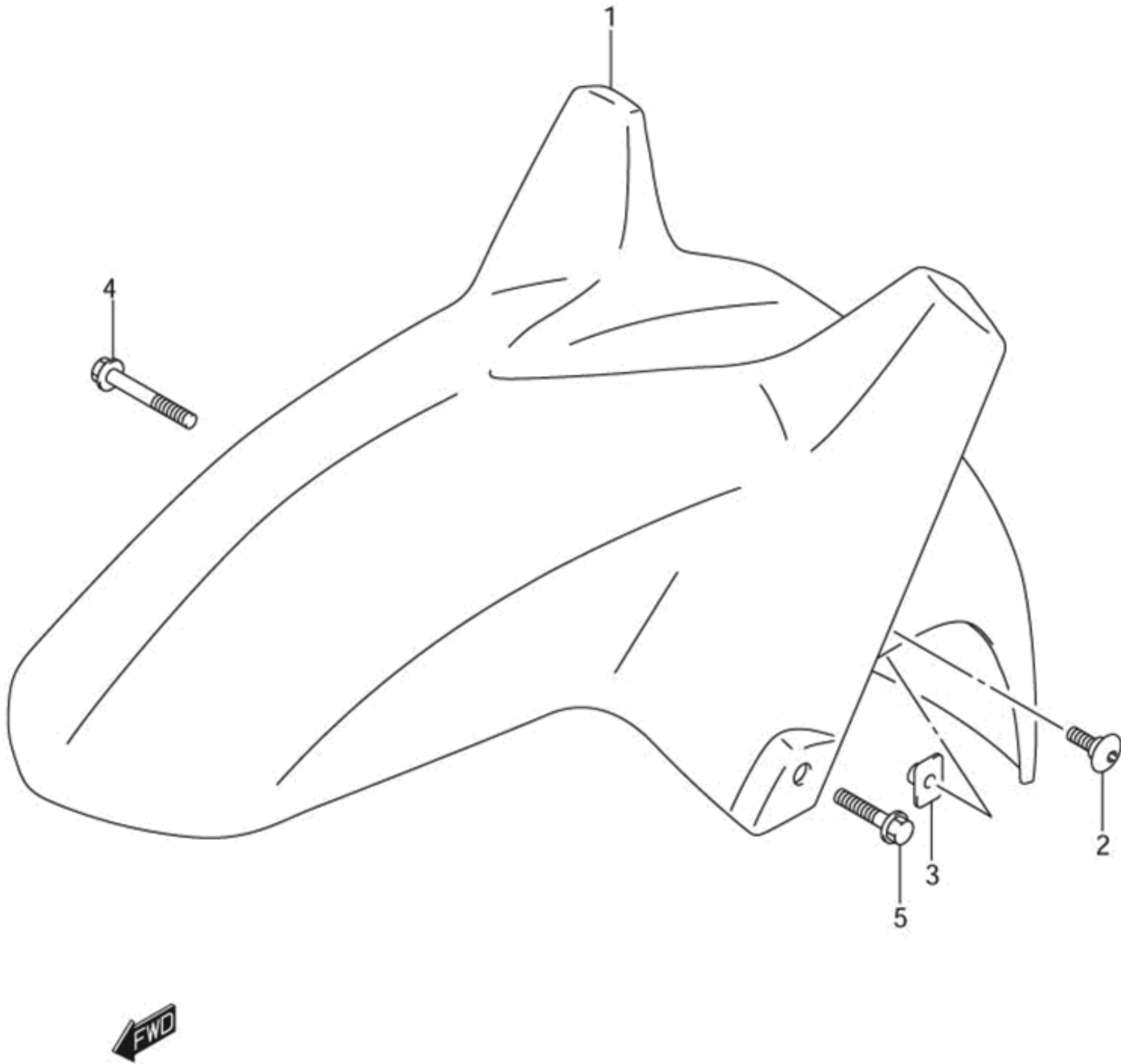
REF#	PART	#REQ	YOUR PRICE
1	(CA)HOSE TANK & 44434-06G00	1	\$6.93
2	CLIP (CA) ONLY 09401-11413	2	\$0.94
3	(CA) VALVE,FUEL 44240-17C00	1	\$22.75
4	(CA)PLAT CMP,BR 44890-06G00	1	\$6.60
5	CUSHION 44894-24A00	1	\$0.65
6	BOLT 01550-06123	1	\$0.84
7	PLATE,FUEL TANK 44892-24A00	1	\$1.61
8	CUSHION 44894-24A00	1	\$0.65
9	SCREW 4X8 02142-04083	2	\$0.52
10	HOSE,BRTHR VALV 44435-27G00	1	\$10.27
11	CLIP (CA) ONLY 09401-11413	3	\$0.94
12	CNISTR ASSY,CHA 17210-26E00	1	\$121.55
13	CAP 09251-07003	1	\$0.87
14	(CA)CUSHION,CAN 44883-06G00	1	\$6.22
15	(CA)HOSE,CSTR P 44436-06G00 (replaces 44436-27G00)	1	\$12.77
16	CLIP 09401-12404	2	\$0.94
17	JOINT, PURGE HO 09367-06009	1	\$14.17

FIG.42



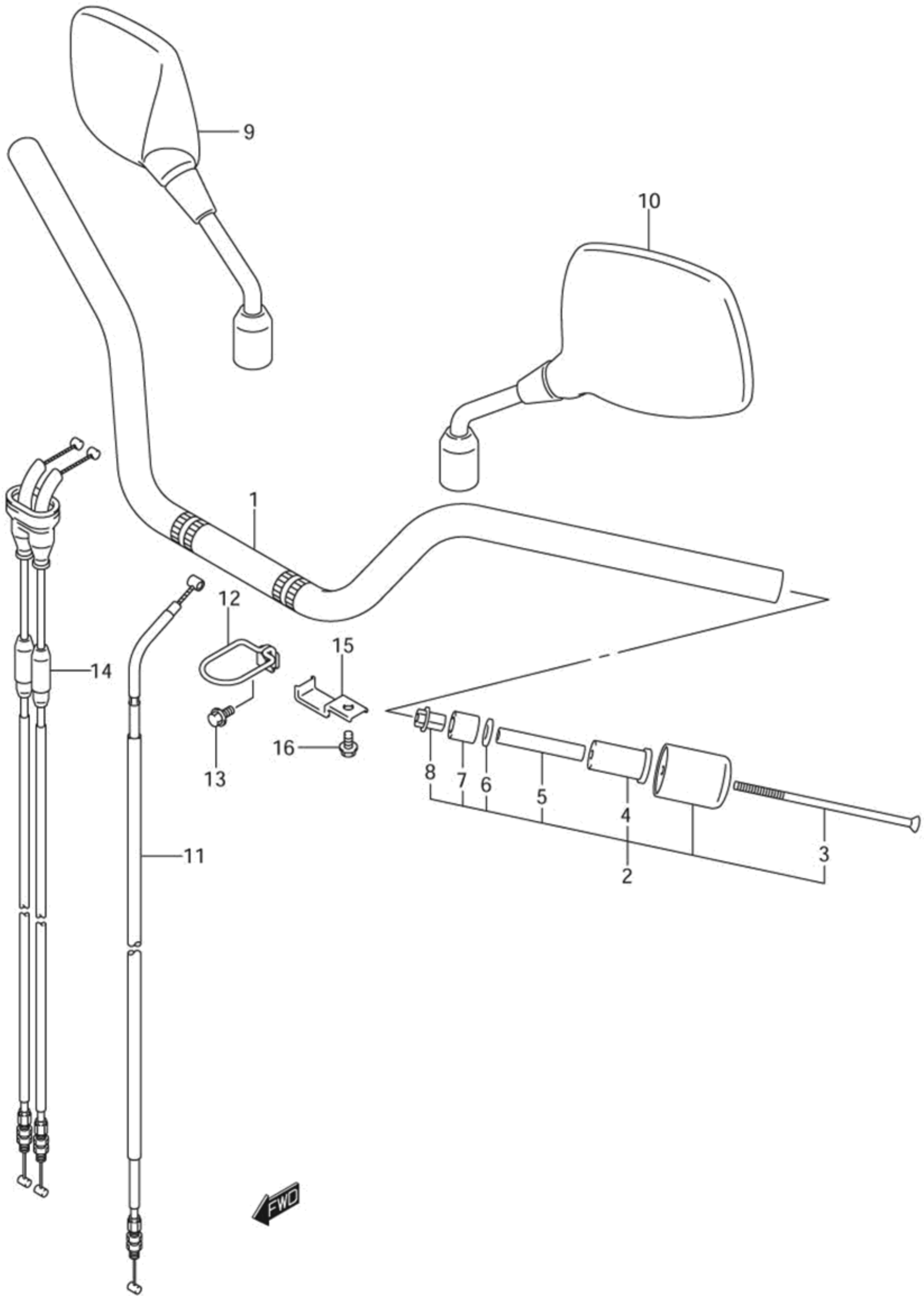
REF#	PART	#REQ	YOUR PRICE
1	COVER,FRAME,R 47111-06G00-291	1	\$33.19
2	COVER,FRAME,L 47211-06G00-291	1	\$33.19
3	STOPPER 09321-10002	2	\$0.75
4	SCREW 09139-06107	2	\$1.52
5	CUSHION FRAME C 09320-08018	2	\$1.26
6	CUSHION 09320-08028	2	\$1.26

FIG.43



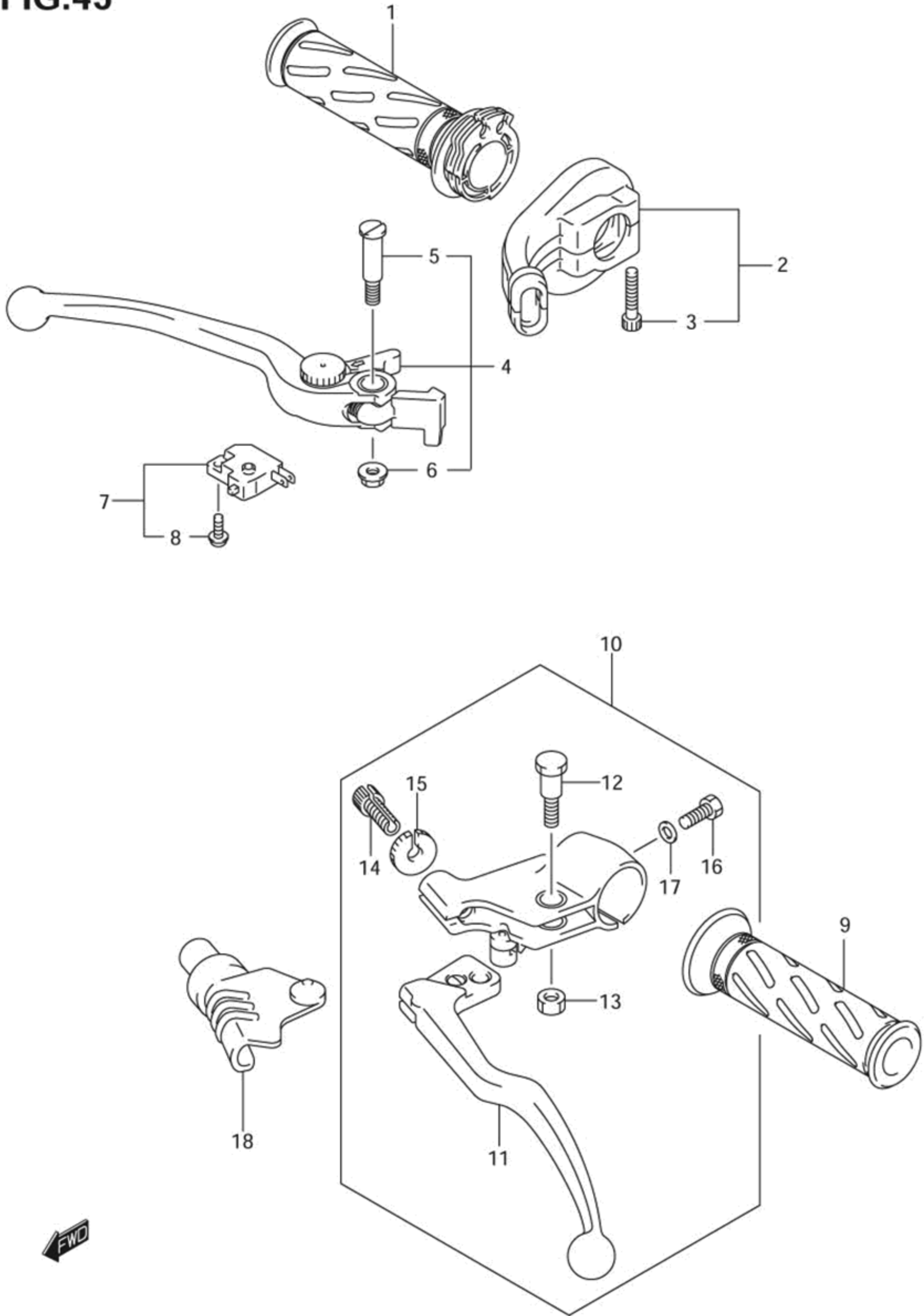
REF#	PART	#REQ	YOUR PRICE
1	FENDER,FRONT 53111-06G00-YAY	1	\$115.05
2	SCREW,FRONT FEN 09139-06121	2	\$1.77
3	NUT,FRONT FENDE 53122-06G00	2	\$2.26
4	BOLT 01547-06453	1	\$0.97
5	BOLT 01547-06303	1	\$0.97

FIG.44



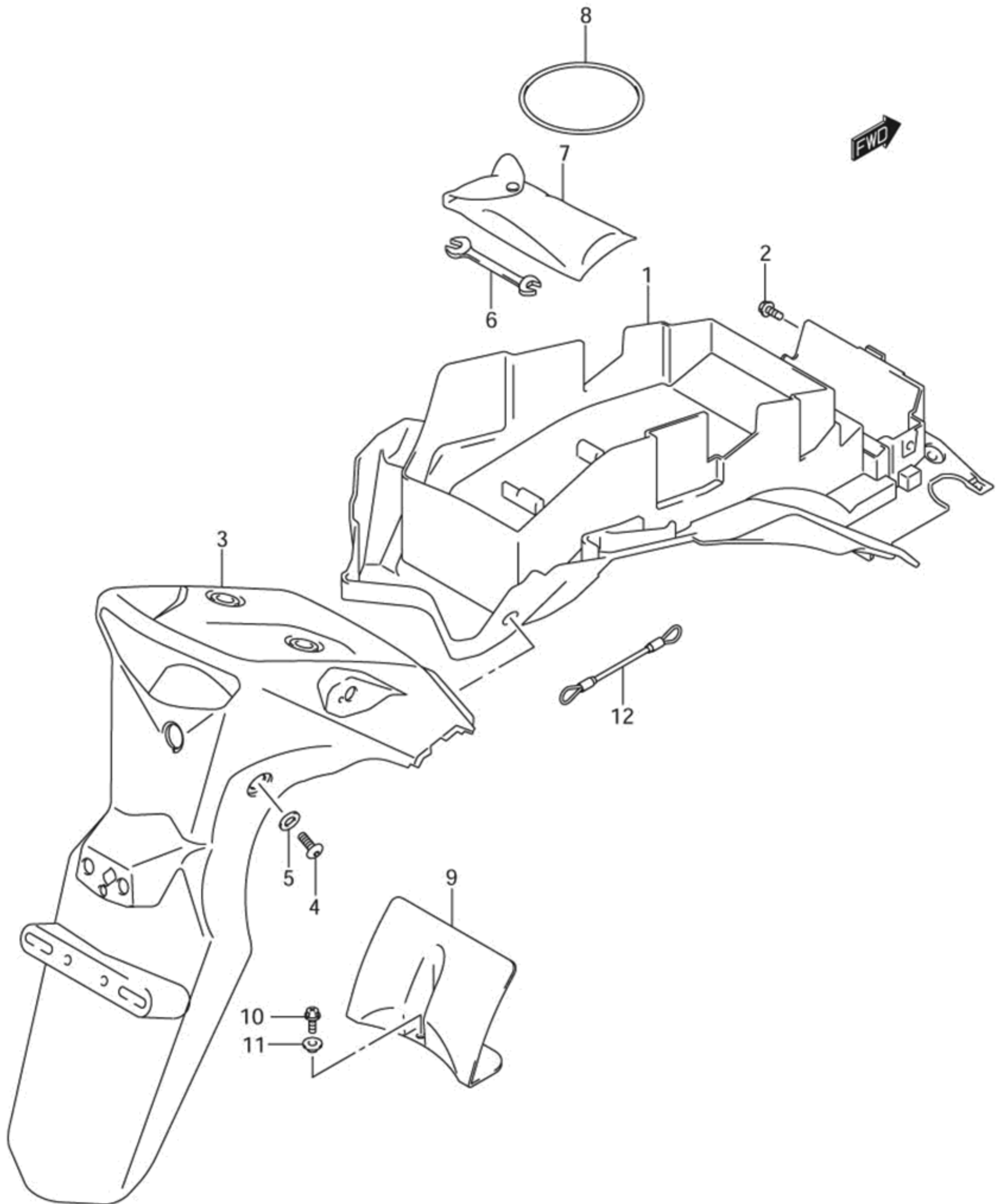
REF#	PART	#REQ	YOUR PRICE
1	HANDLEBAR 56111-27G00	1	\$49.76
2	BALANCER, HANDL 56200-16840	2	\$20.55
3	BOLT,6X110 09127-06018	2	\$1.42
4	EXPANDER 56272-06G00	2	\$3.55
5	SPACER,EXPANDER 56276-17D00	2	\$2.29
6	WASHER,6.5X16X4 09160-06131	2	\$1.07
7	EXPANDER,HANDLE 56272-10G00	2	\$2.13
8	NUT,HANDLE BALA 56273-10G00	2	\$3.90
9	MIRROR ASSY,REA 56500-04F20	1	\$47.55
10	MIRROR ASSY,REA 56600-04F20	1	\$47.55
11	CABLE ASSY,CLUT 58200-27G00	1	\$24.26
12	GUIDE COMP,CLUT 58620-27G00	1	\$7.44
13	BOLT 6X12 BLK 8 01547-06123	1	\$0.87
14	CABLE ASSY,THRO 58300-27G00	1	\$49.13
15	GUIDE,THROTTLE 58621-27G10	1	\$3.54
16	BOLT 02162-06123	1	\$0.68

FIG.45



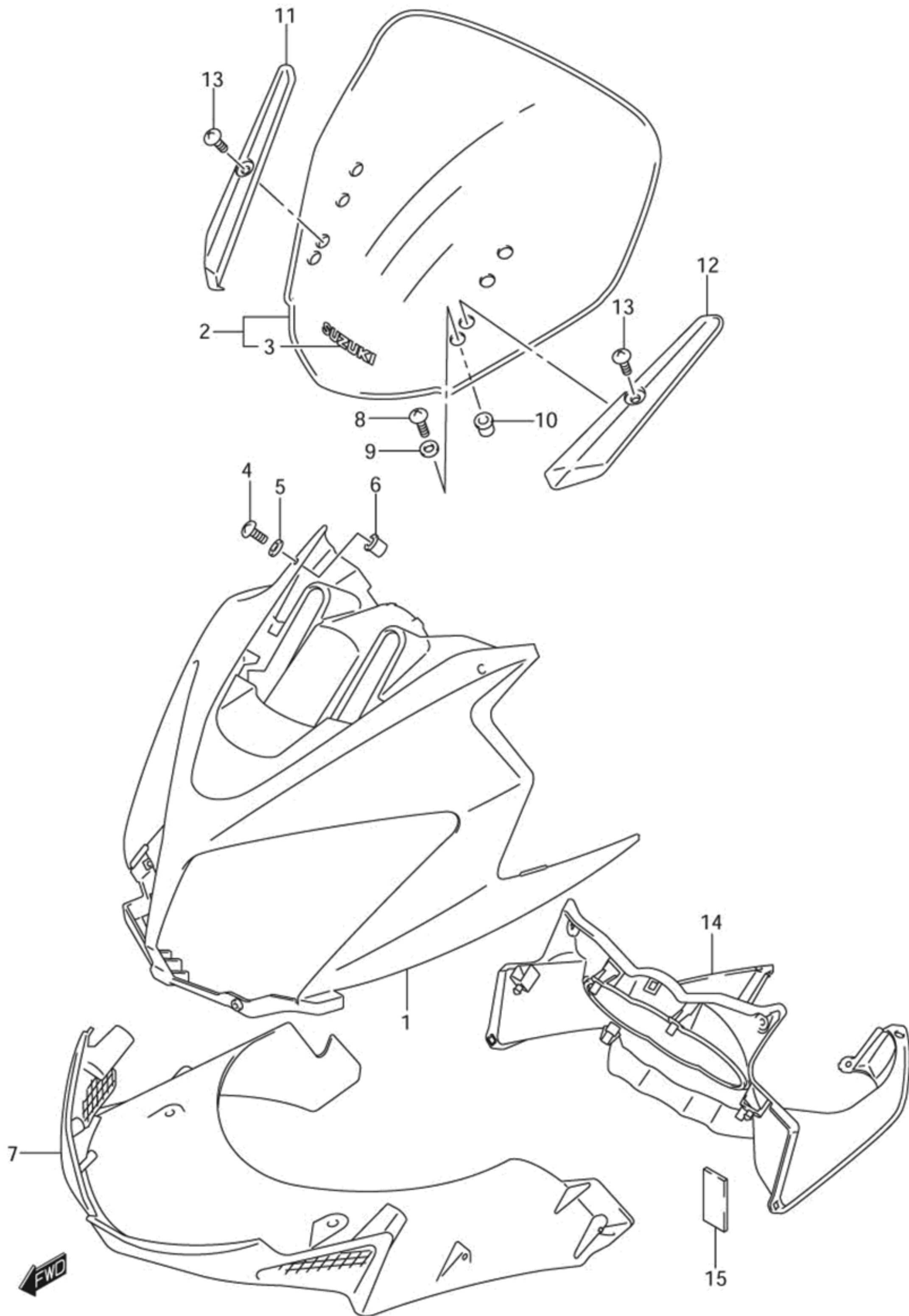
REF#	PART	#REQ	YOUR PRICE
1	GRIP,THROTTLE 57110-45D02	1	\$15.91
2	CASE ASSY,THROT 57100-42F00	1	\$26.32
3	BOLT,MAG/STAT 5 07130-05253	2	\$0.91
4	LEVER ASSY,BRAK 57300-33E01	1	\$37.87
5	BOLT,LEVER 57431-17C00	1	\$3.26
6	NUT 08316-10063	1	\$0.84
7	SWITCH ASSY,STO 57460-17C11	1	\$16.28
8	SCREW 57465-17C00	1	\$0.84
9	GRIP, L 57211-22D01	1	\$8.34
10	LEVER ASSY,CLUT 57500-10D01	1	\$22.22
11	LEVER,CLUTCH 57620-27A31	1	\$9.63
12	BOLT,LEVER SET 57531-14A00	1	\$3.32
13	NUT 08319-21063	1	\$0.81
14	CABLE ADJUSTER 57441-11010	1	\$2.55
15	CABLE ADJUSTMEN 57442-11010	1	\$1.19
16	BOLT 6X20 01500-06203	1	\$0.49
17	WASHER 08322-01063	1	\$0.78
18	COVER,CLUTCH LE 57661-45C00	1	\$4.90

FIG.46



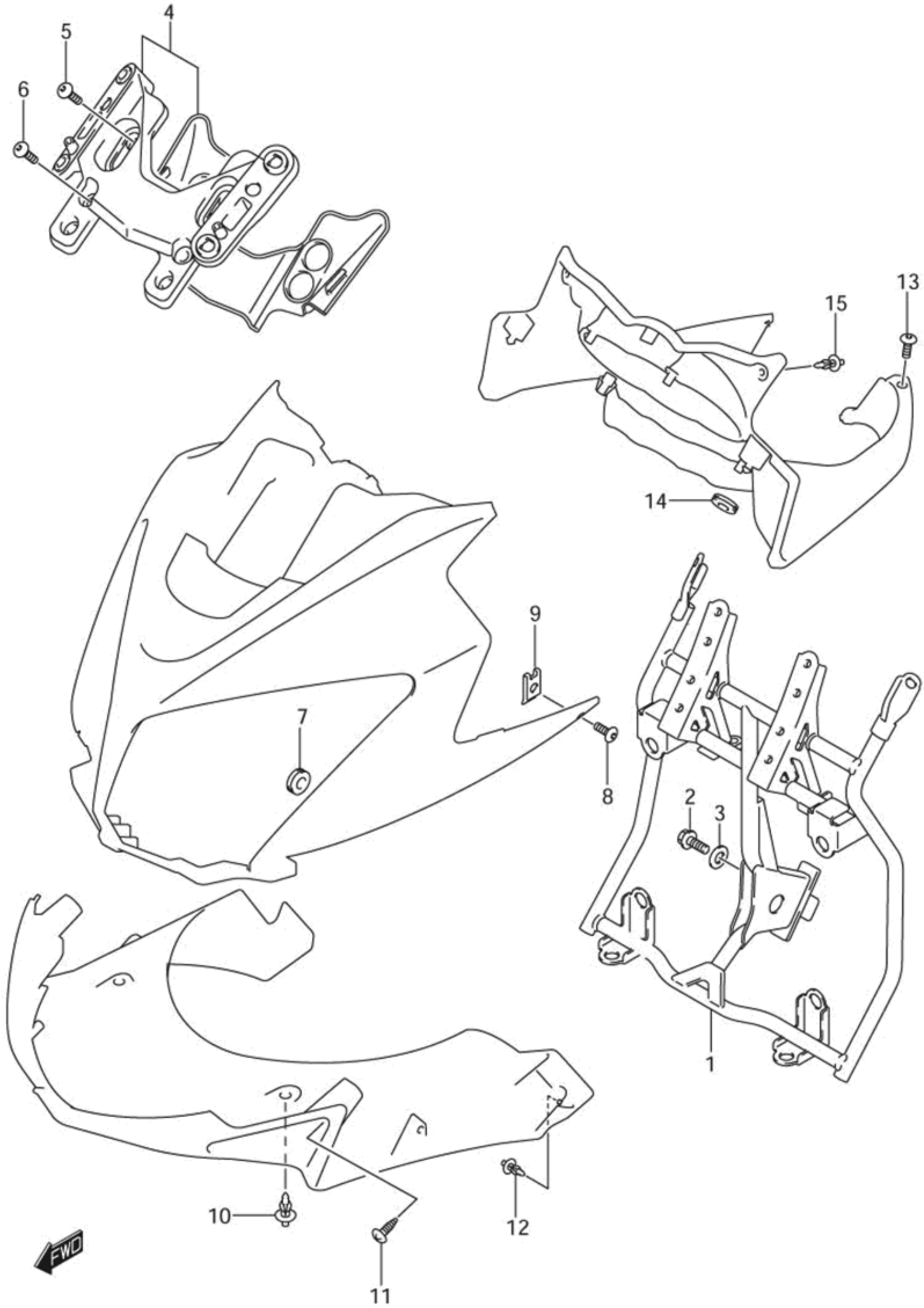
REF#	PART	#REQ	YOUR PRICE
1	FENDER,REAR FRO 63111-27G00	1	\$66.03
2	BOLT 6X14 09116-06098	2	\$0.84
3	FENDER,REAR REA 63112-27G10-291	1	\$50.30
5	WASHER 09160-06109	2	\$0.81
6	OPEN SPANNER,8X 09813-00027	1	\$2.39
7	TOOL ASSY 09800-21035	1	\$41.50
8	O RING 09280-61002	1	\$1.33
9	MUDGUARD,REAR F 63421-19F00	1	\$9.37
10	SCREW 02162-06163	1	\$0.68
11	WASHER 09169-06071	1	\$1.07
12	CABLE COMP,HELM 95740-06G00	1	\$12.04

FIG.47



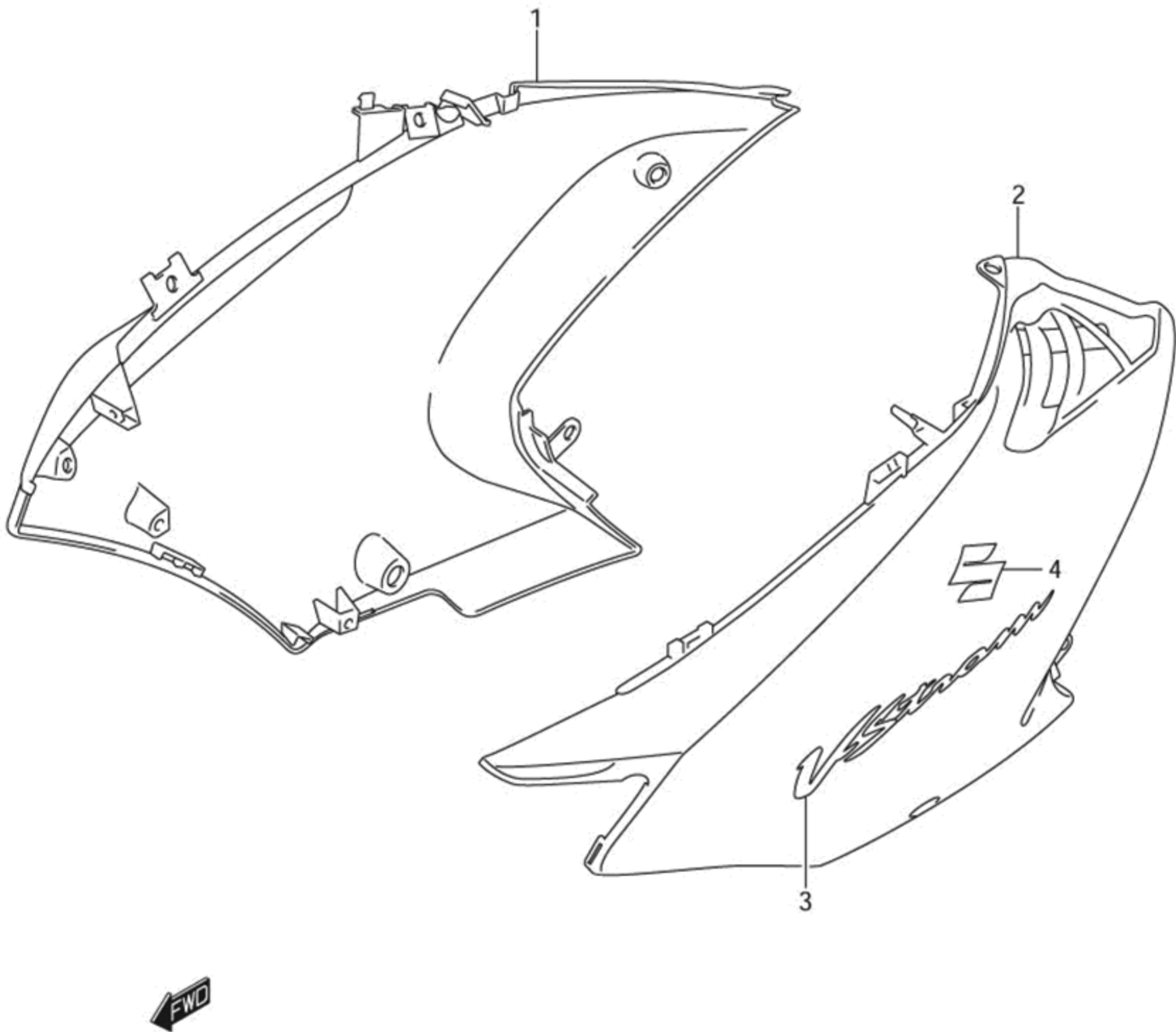
REF#	PART	#REQ	YOUR PRICE
1	COWLING COMP,BO 94410-27G00-YAY	1	\$141.89
2	WINDSCREEN COMP 94610-27G00	1	\$127.15
3	TAPE,WINDSCREEN 68270-27G00-CT5	1	\$32.21
4	SCREW,WINDSCREE 09139-05075	2	\$0.91
5	WASHER 08322-01053	2	\$0.78
6	NUT 94619-36A00	2	\$3.58
7	COVER,COWLING I 94461-27G00	1	\$59.74
8	SCREW 5 X 20 02142-05203	4	\$0.55
9	WASHER 09161-05017	4	\$1.16
10	NUT 09159-05019	4	\$3.26
11	COVER,WINDSCREE 94641-27G00-291	1	\$6.37
12	COVER,WINDSCREE 94642-27G00-291	1	\$6.37
13	BOLT 09132-05053	2	\$0.90
14	PANEL COMP,METE 94630-27G00-291	1	\$41.84
15	CUSHION 44885-38A00	1	\$1.65

FIG.48



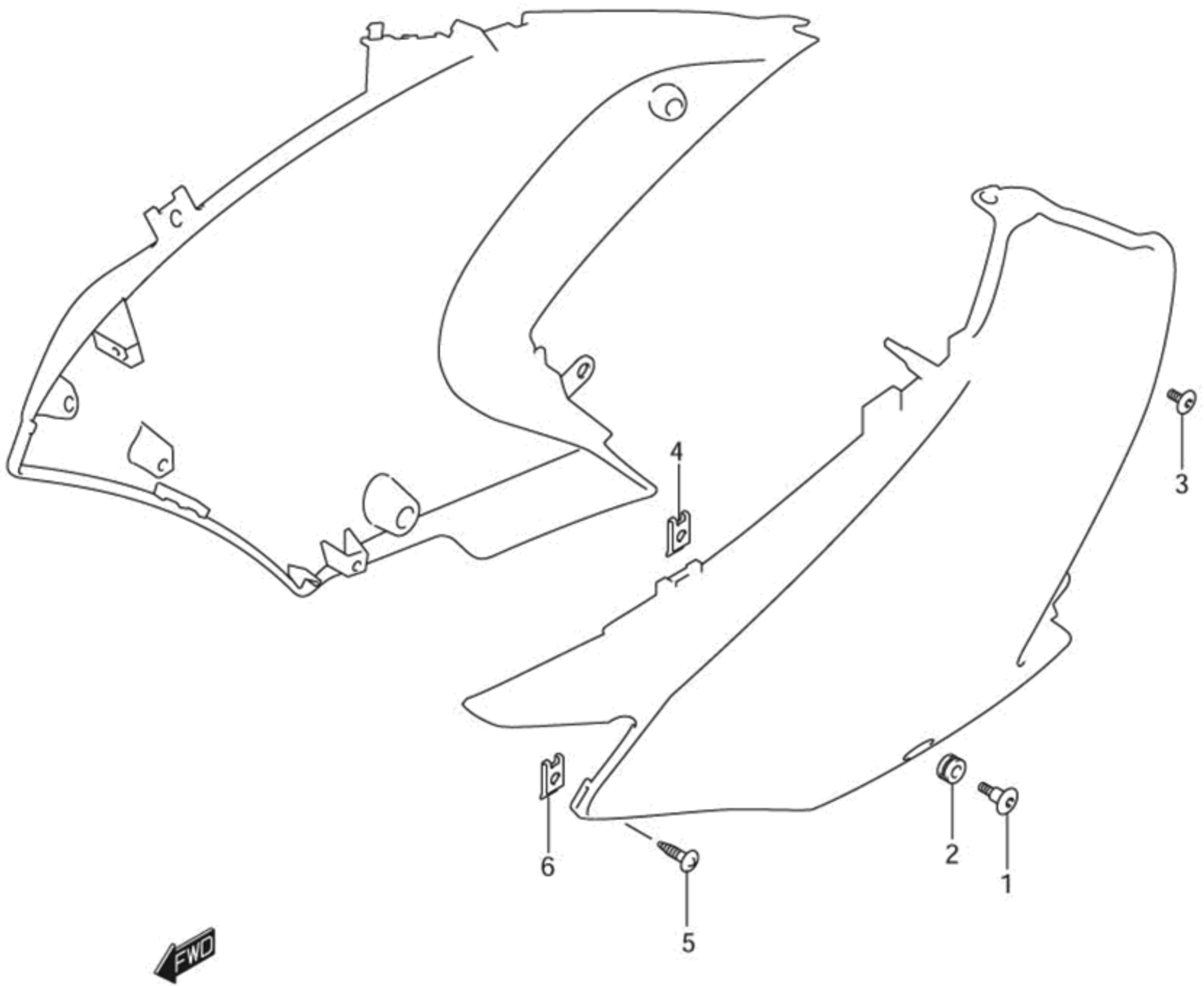
REF#	PART	#REQ	YOUR PRICE
1	BRACE COMP,COWL 94510-27G00	1	\$131.00
2	HEX BOLT 8X20 01550-08203	2	\$0.97
3	WASHER 09164-08020	2	\$0.87
4	BRACE ASSY,WIND 94600-27G00	1	\$34.51
5	SCREW 09139-06126	2	\$1.77
6	SCREW 09139-06120	2	\$1.16
7	CUSHION 09320-08028	4	\$1.26
8	SCREW,5X13 09139-05064	4	\$1.13
9	NUT,STEERING CO 09148-05038	2	\$0.84
10	CLIP 09409-07333	2	\$1.00
11	SCREW 03242-05163	2	\$0.90
12	CLIP(BLACK) 09409-06314-5PK	5	\$1.15
13	SCREW,SIDE COWL 09139-06122	2	\$1.26
14	CUSHION 09320-06016	2	\$1.16
15	CLIP(BLACK) 09409-06314-5PK	2	\$1.15

FIG.49



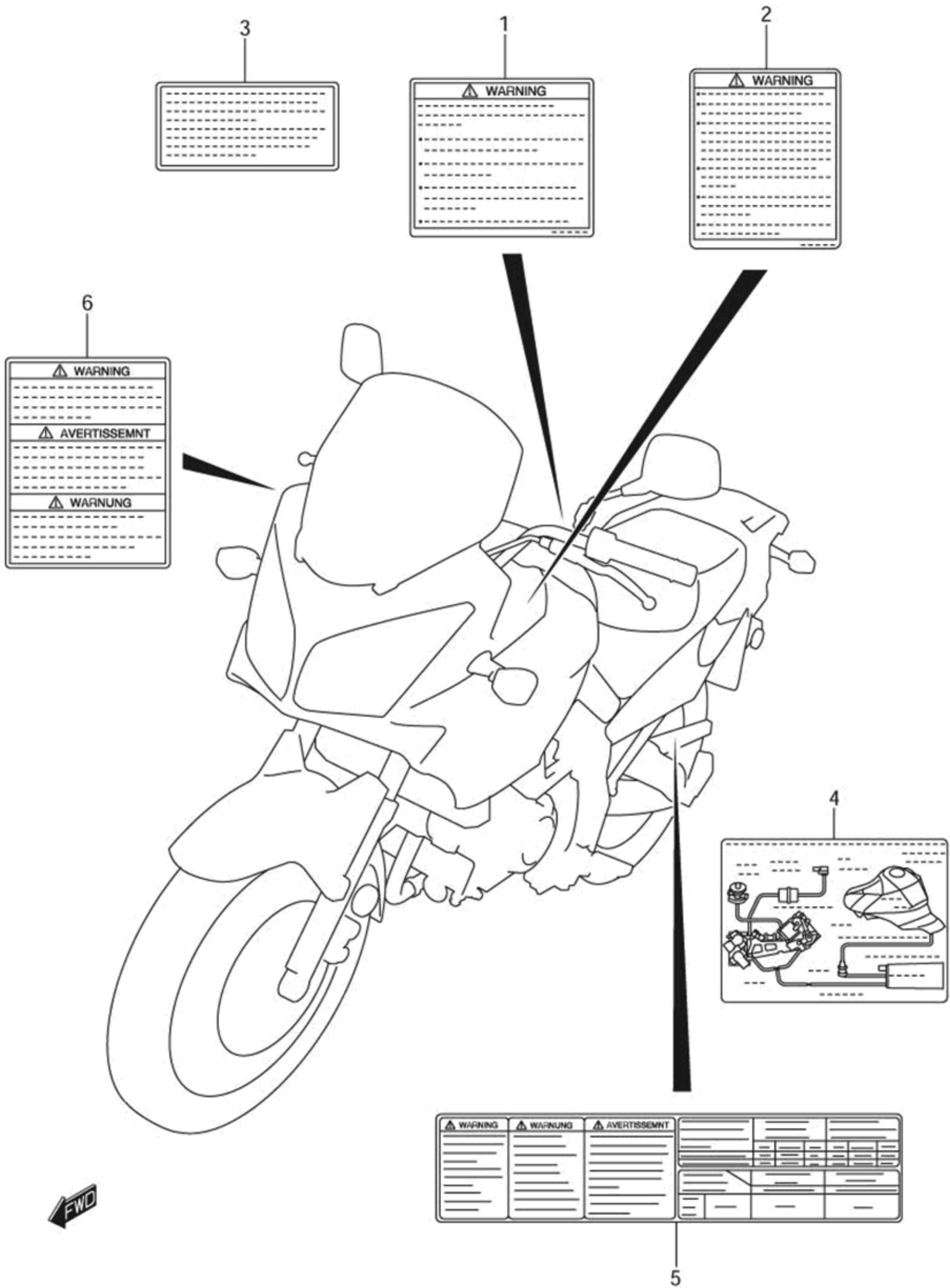
REF#	PART	#REQ	YOUR PRICE
1-1	COWLING ASSY,SI 94402-27G00-YDZ	1	\$126.63
1-2	COWLING ASSY,SI 94402-27G00-YAY	1	\$126.63
1-3	COWLING ASSY,SI 94402-27G00-YBB	1	\$126.63
2-1	COWLING ASSY,SI 94403-27G00-YDZ	1	\$126.63
2-2	COWLING ASSY,SI 94403-27G00-YAY	1	\$126.63
2-3	COWLING ASSY,SI 94403-27G00-YBB	1	\$126.63
3-1	EMBLEM,COWL SID 68681-27G00-AMK	2	\$10.27
3-2	EMBLEM,COWL SID 68681-27G00-AML	2	\$9.87
3-3	EMBLEM,COWL SID 68681-27G00-AMM	2	\$9.87
4-1	EMBLEM,FUEL TAN 68111-18G00-ASM	2	\$6.02
4-2	EMBLEM,"S" 68111-18G00-ACV	2	\$6.02
4-3	EMBLEM,"S" 68111-18G00-ALN	2	\$6.02

FIG.50



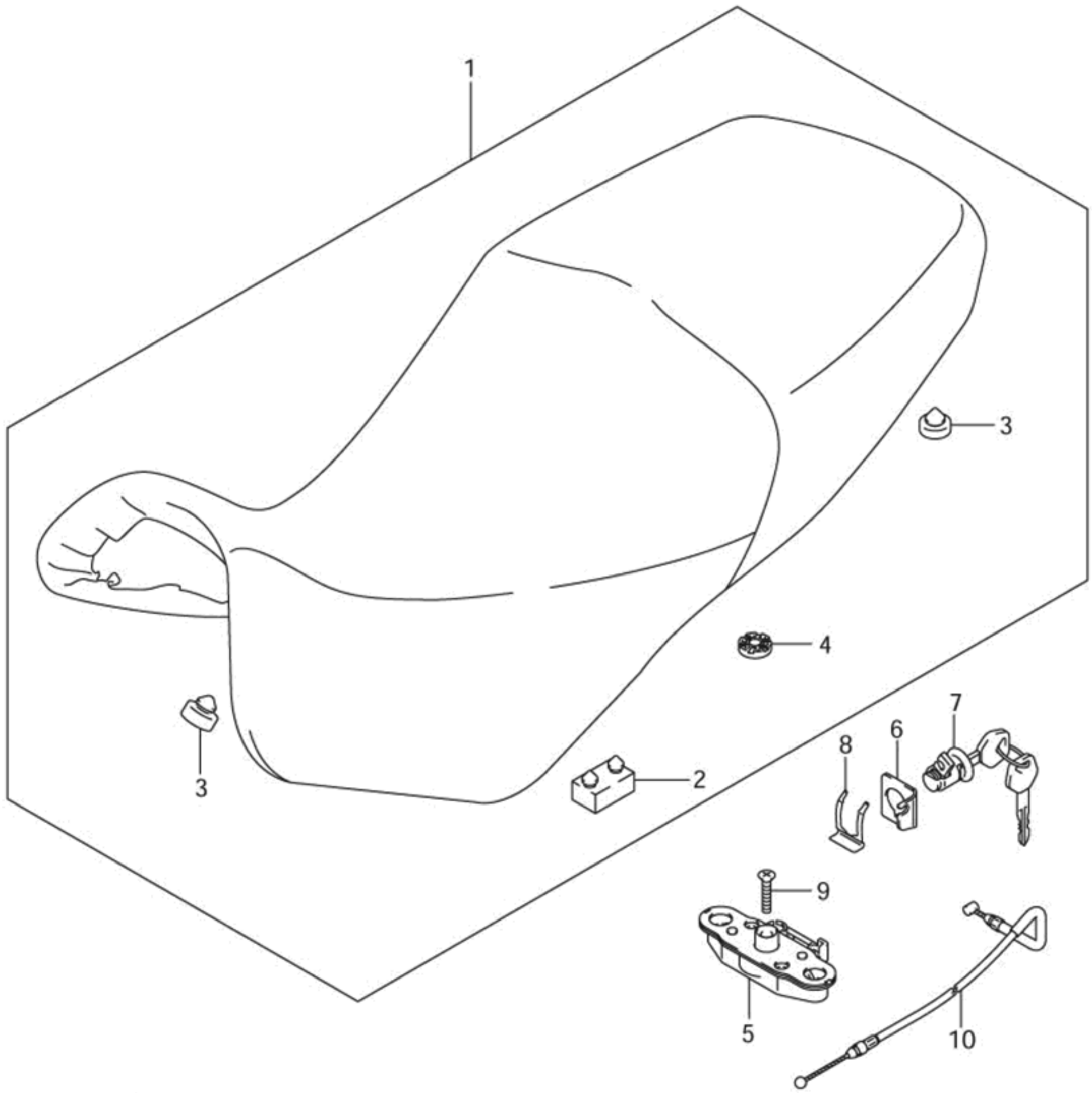
REF#	PART	#REQ	YOUR PRICE
1	SCREW 09139-06126	2	\$1.77
2	CUSHION 09320-09016	2	\$0.87
3	SCREW,SIDE COWL 09139-06122	2	\$1.26
4	NUT,COWL 94484-24F00	4	\$1.77
5	SCREW 03242-05103	2	\$0.81
6	NUT,STEERING CO 09148-05038	2	\$0.84

FIG.51



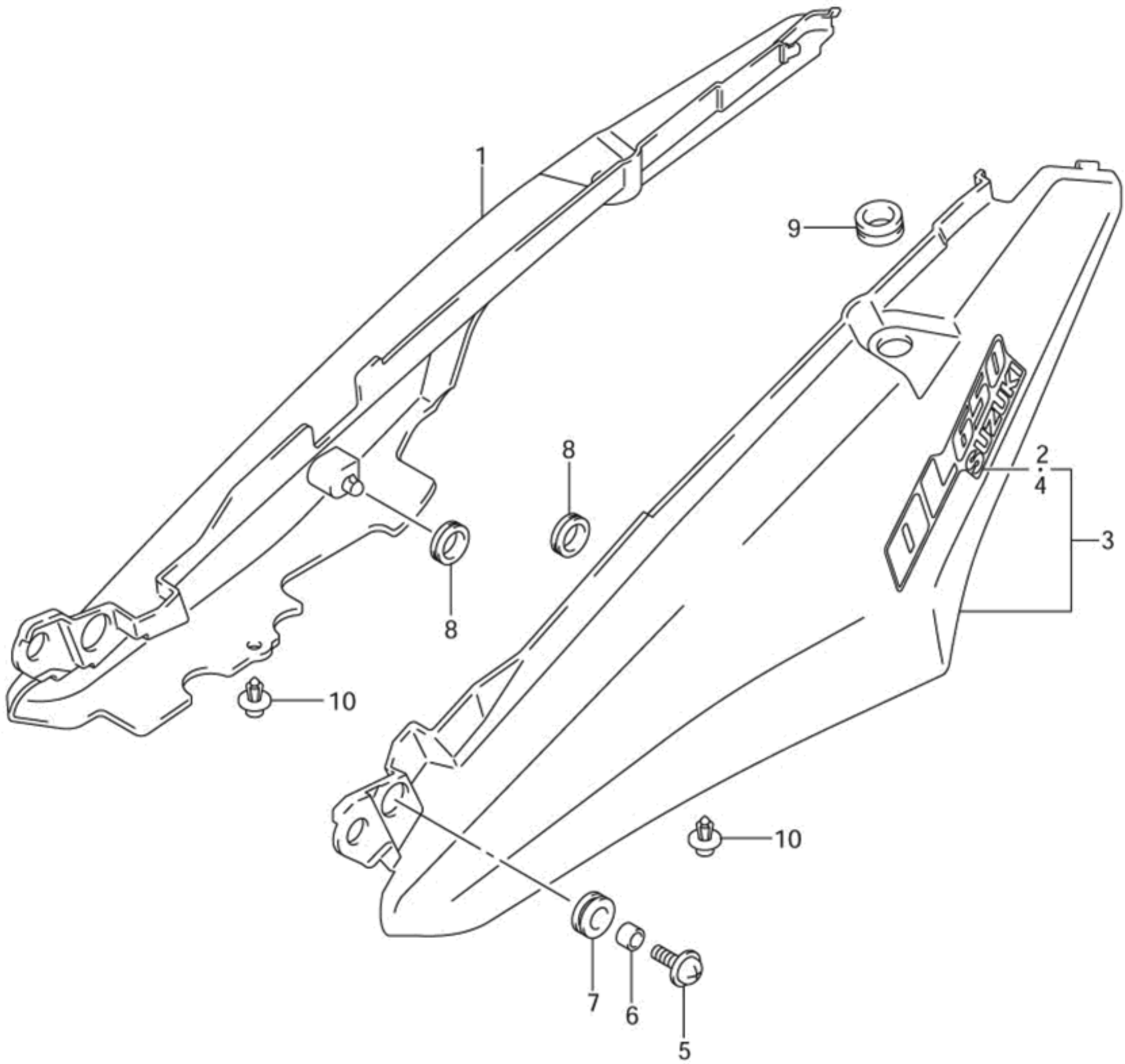
REF#	PART	#REQ	YOUR PRICE
1-1	LABEL,GENERAL W 68319-29F00	1	\$3.48
1-2	LABEL, WARNING 68319-29F10	1	\$1.26
2-1	LABEL,SCREEN 68922-29F00	1	\$3.26
3	LABEL,MANUAL NO 68353-26E02	1	\$2.29
5-2	LABEL,TIRE INFO 68332-27G10	1	\$4.21
6-2	LABEL,WARNING S 68613-18E00	1	\$2.84
7-1	MANUAL,OWNER'S 99011-27G50-03A	1	\$14.86

FIG.52



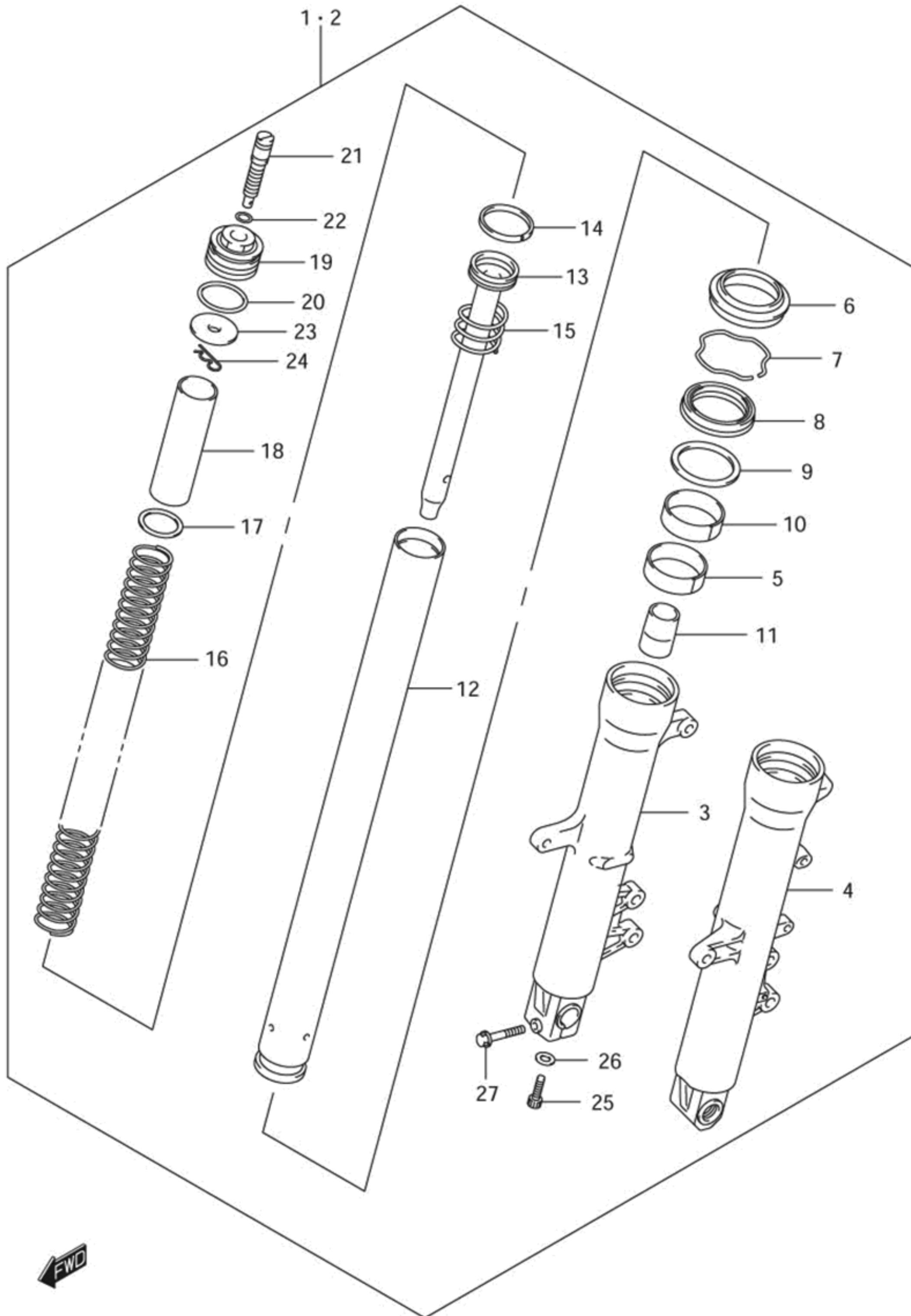
REF#	PART	#REQ	YOUR PRICE
1	SEAT ASSY 45100-27G00-H1N	1	\$180.59
2	CUSHION SEAT 45149-31300	4	\$1.61
3	CUSHION 09321-10012	3	\$1.19
4	CUSHION,SEAT LO 45213-13601	2	\$1.19
5	BRACKET SEAT SU 45220-20A01	1	\$31.07
6	GUIDE,SEAT LOCK 45288-14F00	1	\$2.42
7	LOCK SET,SEAT 95700-14810	1	\$45.31
8	PLATE,SEAT LOCK 45289-11F00	1	\$2.77
9	SCREW 02122-06303	2	\$0.68
10	CABLE,SEAT LOCK 45280-27G00	1	\$13.44

FIG.53



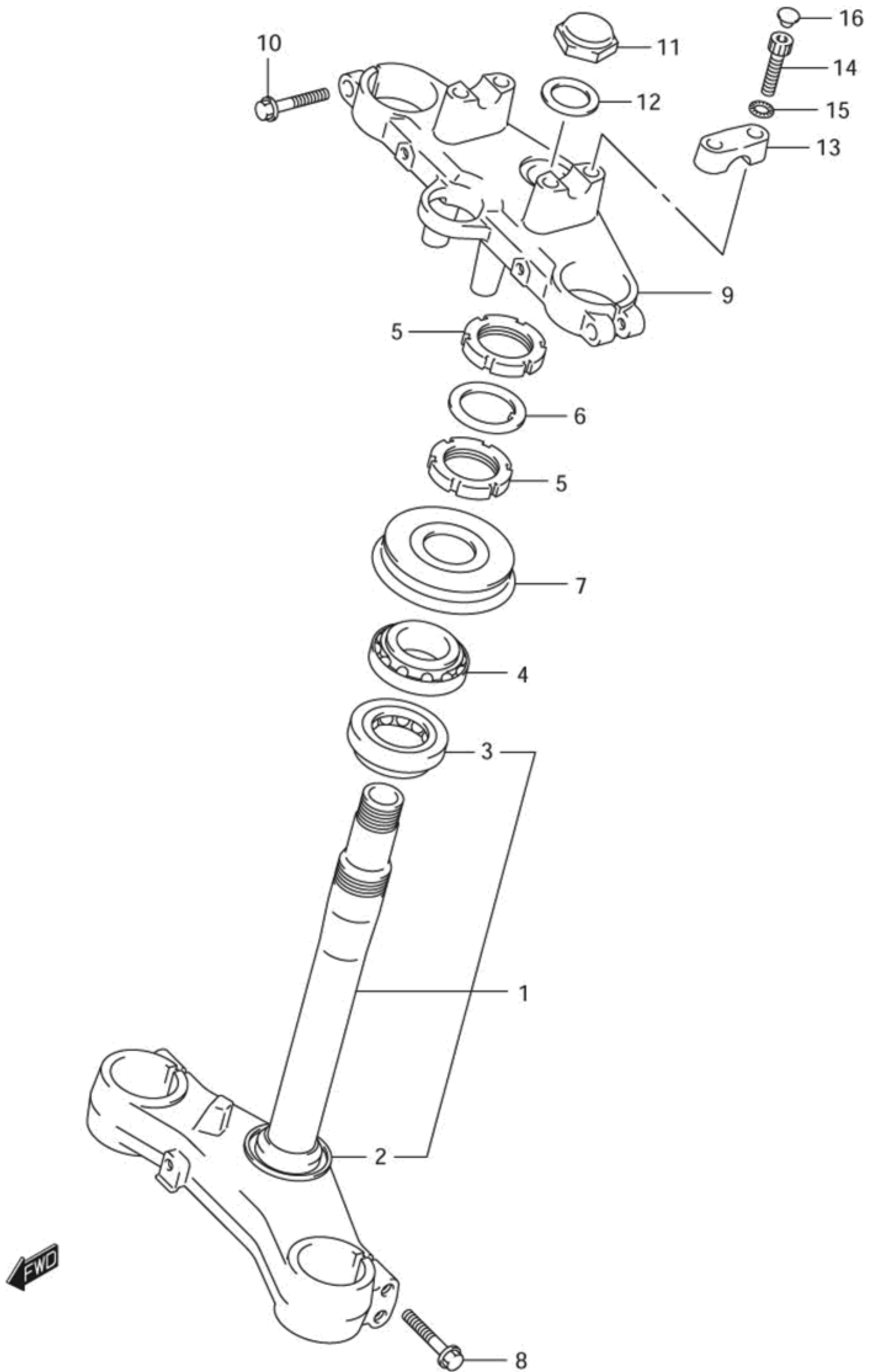
REF#	PART	#REQ	YOUR PRICE
1-1	COVER,SEAT TAIL 45501-27G00-YAY	1	\$108.99
1-2	COVER,SEAT TAIL 45501-27G00-YBB	1	\$108.99
2-1	EMBLEM,SEAT TAI 68161-27G00-AMR	1	\$5.67
2-2	EMBLEM,SEAT TAI 68161-27G00-AMS	1	\$5.67
2-3	EMBLEM,SEAT TAI 68161-27G00-AMP	1	\$5.67
3-1	COVER,SEAT TAIL 45502-27G00-YAY	1	\$108.99
3-2	COVER,SEAT TAIL 45502-27G00-YBB	1	\$108.99
4-1	EMBLEM,SEAT TAI 68161-27G00-AMR	1	\$5.67
4-2	EMBLEM,SEAT TAI 68161-27G00-AMS	1	\$5.67
4-3	EMBLEM,SEAT TAI 68161-27G00-AMP	1	\$5.67
5	SCREW 09136-06081	2	\$0.94
6	SPACER,6.5X12X9 09180-06300	2	\$1.61
7	CUSHION 09320-12068	2	\$1.48
8	CUSHION FRAME C 09320-08018	2	\$1.26
9	CUSHION 09320-15008	2	\$1.65
10	CLIP(BLACK) 09409-06314-5PK	2	\$1.15

FIG.54



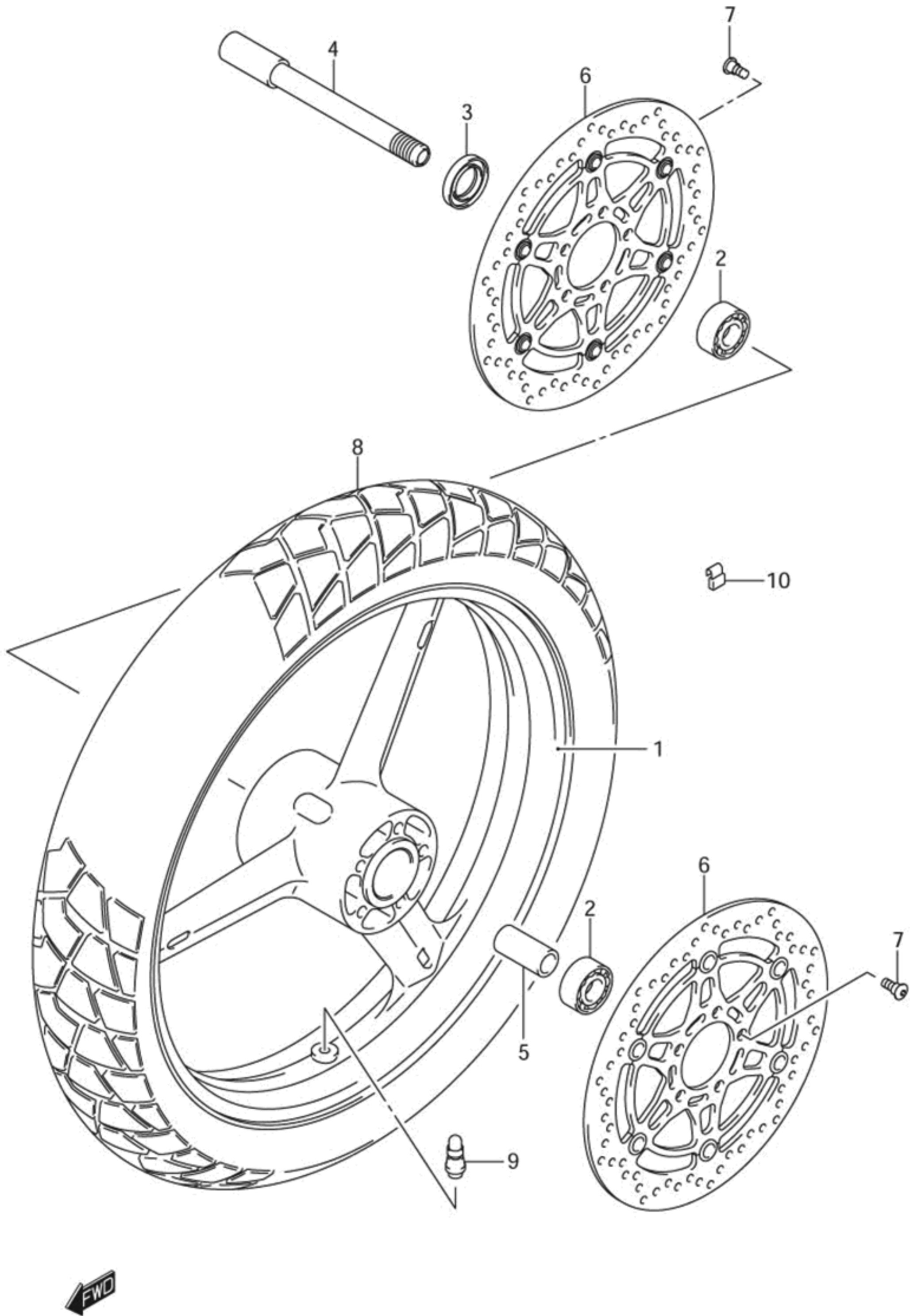
REF#	PART	#REQ	YOUR PRICE
1	DAMPER ASSY,FRO 51103-27G00	1	\$404.34
2	DAMPER ASSY,FRO 51104-27G00	1	\$404.34
3	TUBE,OUTER,R 51131-27G00	1	\$221.86
4	TUBE,OUTER,L 51141-27G00	1	\$221.86
5	BUSH,SLIDE 51121-03F00	2	\$9.69
6	SEAL,DUST 51173-27G00	2	\$12.22
7	RING STOPPER 51556-38B00	2	\$3.32
8	SEAL,OIL 51553-27G00	2	\$10.59
9	SPACER,SEAL 51168-17C00	2	\$2.81
10	BUSH,GUIDE 51152-13E00	2	\$9.08
11	PIECE,OIL LOCK 51195-27G00	2	\$10.98
12	TUBE,INNER 51110-27G00	2	\$157.36
13	CYLINDER 51146-27G00	2	\$36.76
14	RING,PISTON 51196-27G00	2	\$3.38
15	SPRING,REBOUND 51177-14D00	2	\$4.74
16	SPRING,FRONT 51171-27G00	2	\$36.76
17	SEAT,SPRING, LO 51186-17C00	2	\$2.68
18	COLLAR,SPRING 51176-27G00	2	\$5.67
19	BOLT,FORK 51189-27G00	2	\$30.24
20	O RING 51117-17C00	2	\$2.68
21	ADJUSTER BOLT,S 51185-27G00	2	\$19.82
22	O RING 09280-14011 (replaces 51187-14D00)	2	\$2.06
23	SEAT,SPRING 51186-12C00	2	\$2.68
24	PIN,SEAT SPRING 51188-32B00	2	\$1.52
25	FRONT FORK BOLT 51147-48130	2	\$1.93
26	FORK CYL BOLT G 51148-36011	2	\$1.61
27	BOLT,8X40 51328-03FK0	1	\$2.42

FIG.55



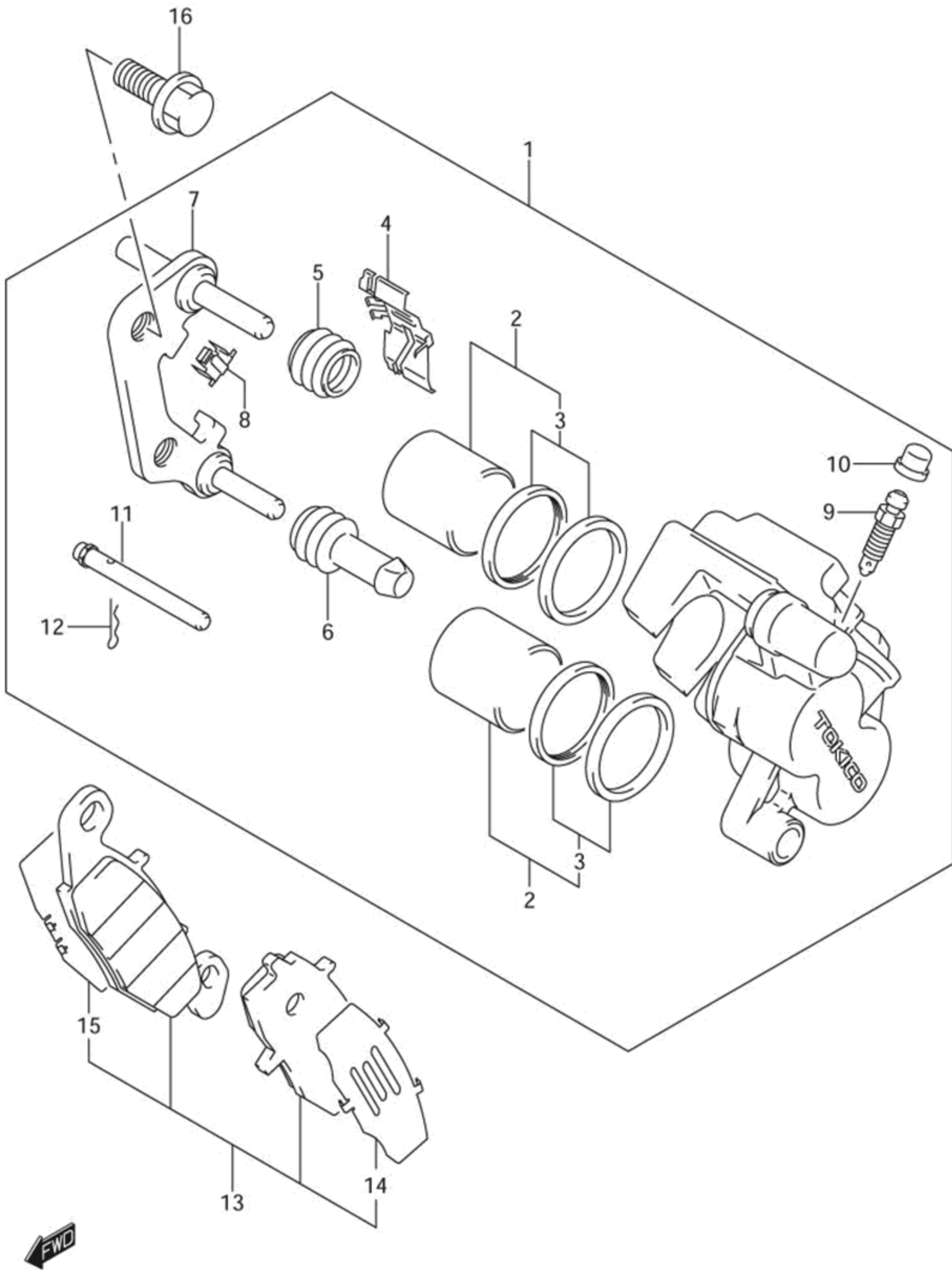
REF#	PART	#REQ	YOUR PRICE
1	STEM,STEERING 51410-27G00	1	\$344.79
2	SEAL,STEERING L 51644-12C00	1	\$4.35
3	B1 BEARING,30X5 09267-30010	1	\$21.47
5	NUT,STEERING ST 51631-33E00	2	\$10.88
6	WASHER,STEERING 51641-33E00	1	\$2.77
7	SEAL,STEERING U 51643-33E00	1	\$7.34
8	BOLT 51166-35F00	4	\$3.42
9	HEAD,STEERING S 51311-27G00	1	\$132.86
10	BOLT 51166-35F00	2	\$3.42
11	NUT 51353-27G00	1	\$12.75
12	WASHER 51354-06G00	1	\$4.29
13	HOLDER,HANDLE,U 56211-32F00	2	\$21.20
14	BOLT 51321-06G00	4	\$3.32
15	WASHER HANDLEBA 09164-08015	4	\$1.29
16	CAP 09250-06011	4	\$1.07

FIG.56



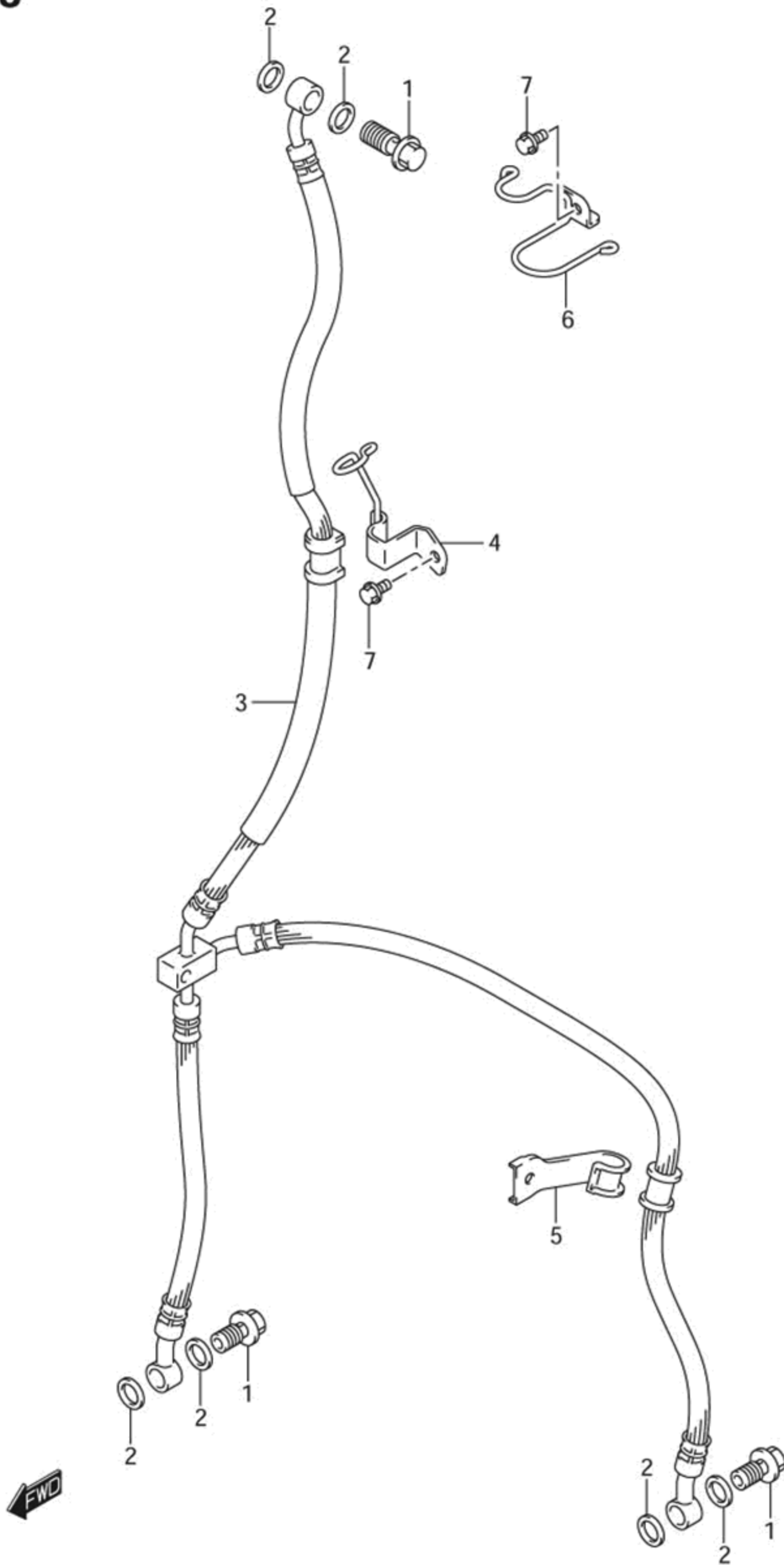
REF#	PART	#REQ	YOUR PRICE
1	WHEEL,FRONT(19M 54111-27G00-019	1	\$292.03
2	B1 17X40X12 BEA 08133-62037	2	\$10.92
3	SEAL,OIL,22X40X 09285-22004	1	\$2.61
4	AXLE,FRONT 54711-08F00	1	\$34.86
5	SPACER RR HUB B 09180-17067	1	\$8.34
6	DISC COMP,FRONT 59210-27G00	2	\$162.53
7	BOLT,DISC 09106-08160	10	\$1.61
8	TIRE,FRONT,110/ 55110-06G10	1	\$147.05
9	VALVE ASSY 43130-24A00	1	\$4.03
10-1	WEIGHT,WHEEL BA 43222-73H10	0%3	\$2.10
10-2	WEIGHT,WHEEL BA 43224-73H10	0%3	\$2.32
10-3	WEIGHT,WHEEL BA 43226-73H10	0%3	\$2.71

FIG.57



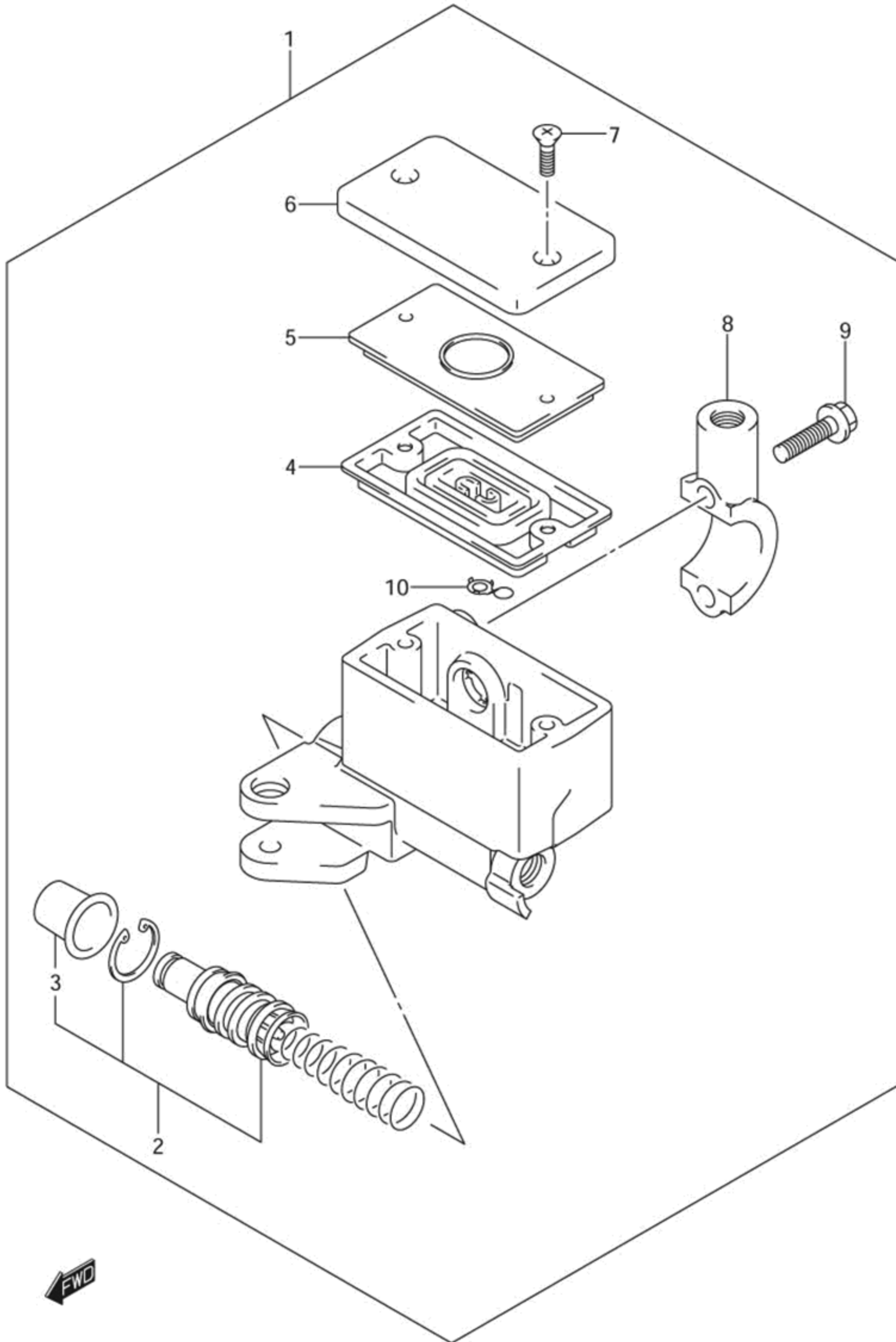
REF#	PART	#REQ	YOUR PRICE
1-1	CALIPER ASSY,FR 59100-33D90-999	1	\$126.35
1-2	CALIPER ASSY,FR 59300-33D90-999	1	\$126.35
2	PISTON SET 59300-33831	2	\$18.94
3	SEAL SET, PISTO 59300-33841	2	\$7.00
4-1	SPRING,PAD,R 59115-33D00	1	\$6.60
4-2	SPRING,PAD,L 59315-33D00	1	\$6.60
5	BOOT, AXLE 59112-44B00	2	\$4.06
6	INSULATOR AXLE 59313-36500	2	\$2.61
7-1	CARRIER,CALIPER 59150-33D01	1	\$35.49
7-2	CARRIER,CALIPER 59350-33D01	1	\$35.49
8	GUIDE,PAD 59116-33D00	2	\$3.48
9	BLEEDER 59121-18410	2	\$3.96
10	CAP,BLEEDER PLU 55156-66310	2	\$2.35
11	PIN,PAD 59141-44B01	2	\$4.12
12	BRAKE PAD PIN C 69142-45000	2	\$1.93
13-1	PAD & SHIM SET 59102-33870	1	\$39.80
13-2	PAD & SHIM SET 59302-33850	1	\$38.85
14	SHIM,PAD 59171-33D00	1	\$5.57
15	SHIM, PAD NO.2 59172-33D00	1	\$6.06
16	BOLT 01550-10253	4	\$1.26

FIG.58



REF#	PART	#REQ	YOUR PRICE
1	BOLT 09360-10042	3	\$2.77
2	WASHER 09161-10009	6	\$0.81
3	HOSE,FRONT BRAK 59480-06G00	1	\$76.60
4	CLAMP,FR BRAKE 59260-06G00	1	\$7.08
5	CLAMP,FRONT BRA 59268-06G00	1	\$4.61
6	GUIDE,FR BRAKE 59540-06G00	1	\$7.44
7	BOLT 6X12 BLK 8 01547-06123	2	\$0.87

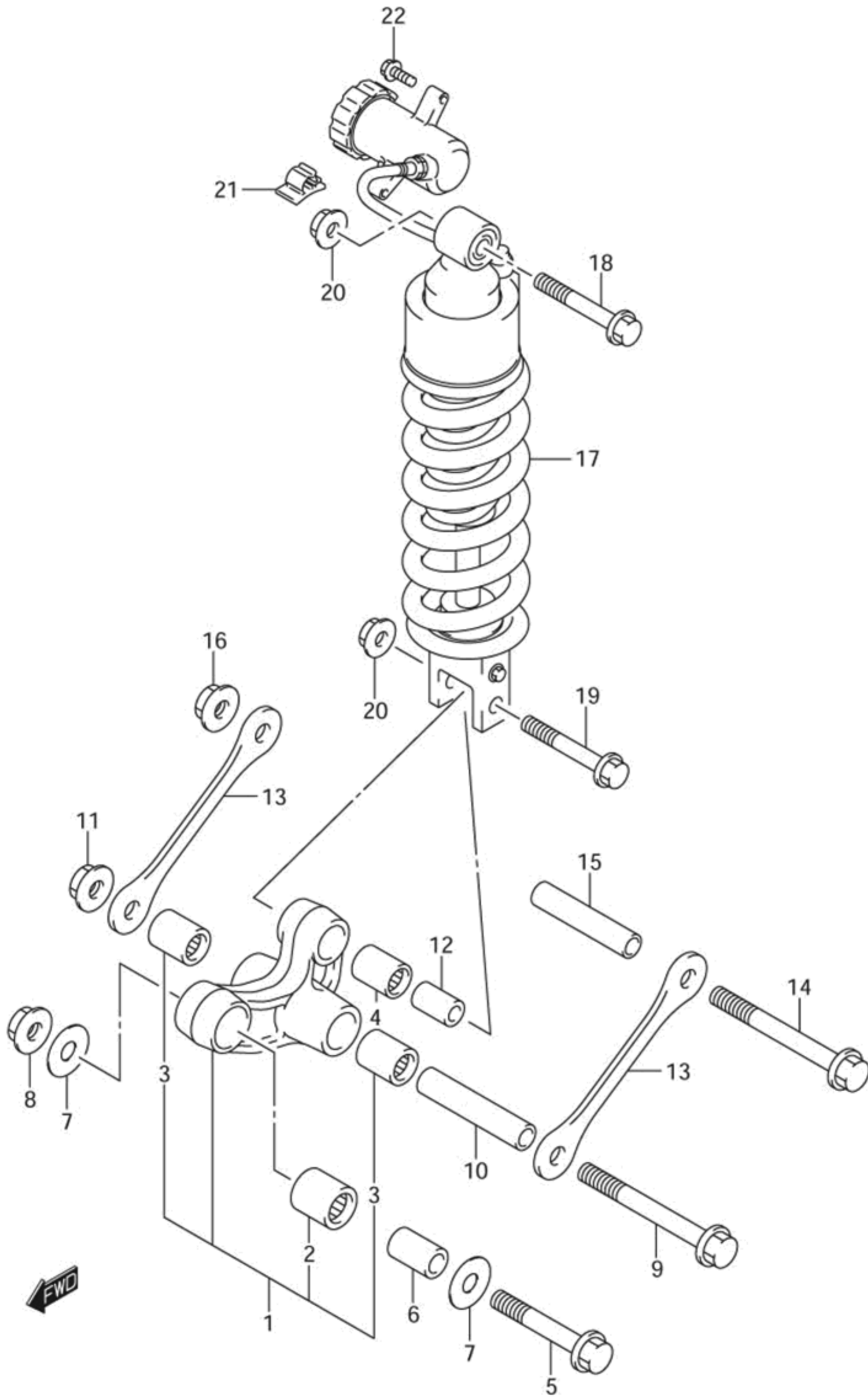
FIG.59



REF#	PART	#REQ	YOUR PRICE
1	CYLINDER ASSY,F 59600-42F00	1	\$118.82
2	PISTON/CUP SET 59600-45860	1	\$17.89
3	BOOT 59666-44300	1	\$2.41
4	DIAPHRAGM,MASTE 59667-49460	1	\$4.45
5	PLATE,DIAPHRAGM 59668-41C00	1	\$4.32
6	CAP,MASTER CYLI 59669-41C00	1	\$14.43
7	SCREW 69689-49300	2	\$0.71
8	HOLDER 59671-32F00	1	\$8.98
9	BOLT,6X22 59675-02FA0	2	\$1.71
10	PROTECTOR 59664-32F00	1	\$4.15

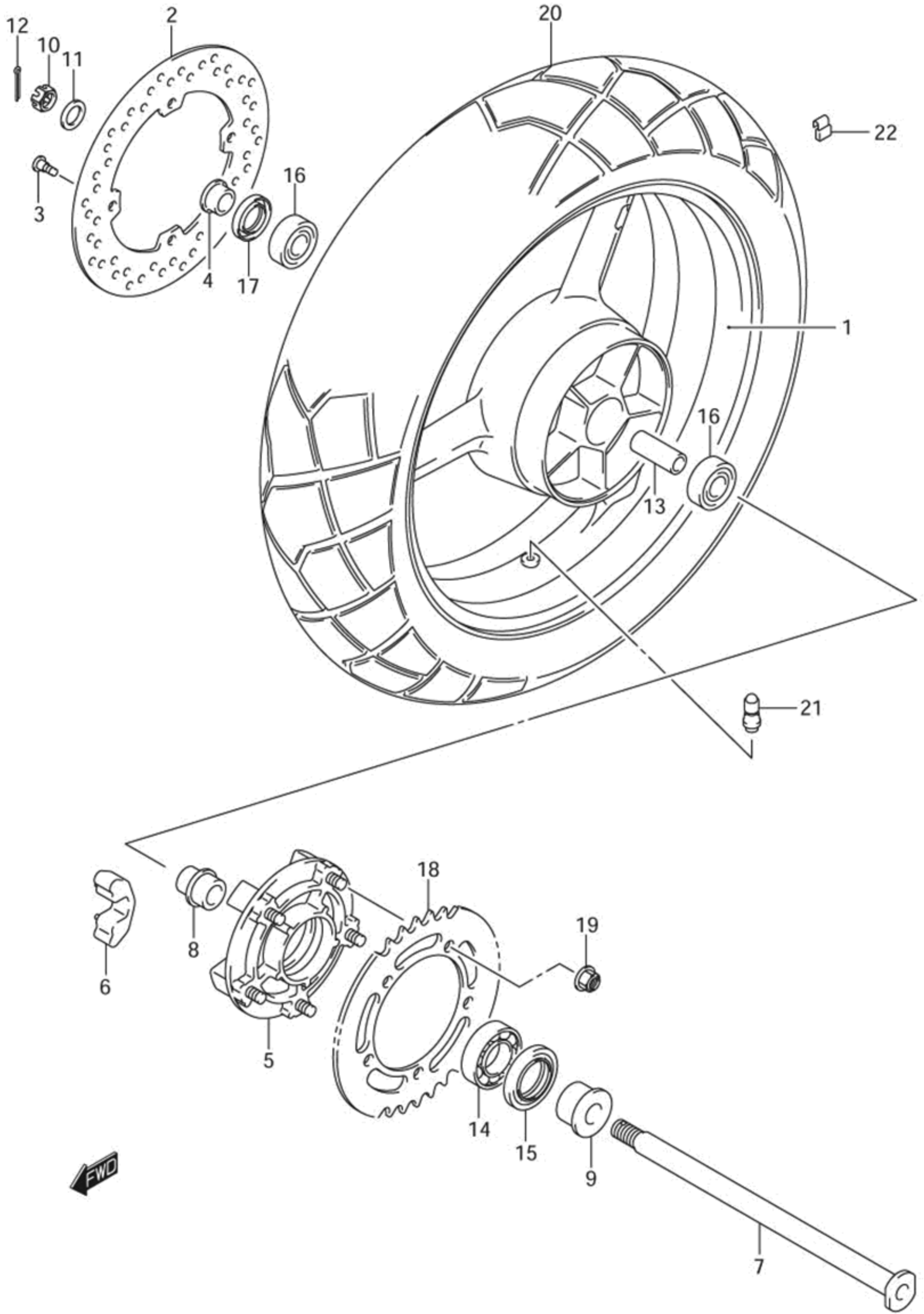
REF#	PART	#REQ	YOUR PRICE
1	SWINGINGARM ASS 61000-27G00	1	\$569.08
2	SPACER,RR SWGAR 09180-20118	1	\$8.50
3	RN 25X33X35 BRG 09263-25059	2	\$16.41
4	RN 17X24X25 BRG 09263-17037	2	\$10.50
5	SPACER,RR SWGAR 61251-31E00	2	\$21.04
6	SHAFT,RR SWGARM 61211-06G00	1	\$50.69
7	NUT,RR SWGARM P 61214-19F00	1	\$14.65
8	NUT 18MM 08319-31188	1	\$9.21
9	BUFFER,CHAIN TO 61273-27G00	1	\$17.34
10	BOLT 09116-06152	2	\$0.87
11	SPACER,6.5X10X7 09180-06283	1	\$0.81
12	ADJUSTER COMP,C 61410-03F00	1	\$14.47
13-1	PLATE,CHAIN ADJ 61421-33D01	1	\$11.98
13-2	PLATE,CHAIN ADJ 61422-33D01	1	\$11.98
14-1	WASHER,CHAIN AD 64712-03F00	1	\$2.38
14-2	WASHER,CHAIN AD 64713-03F00	1	\$2.38
15	BOLT,8X50 09106-08119	2	\$1.68
16	WASHER HANDLEBA 09164-08015	2	\$1.29
17	CASE,CHAIN 61310-16G00	1	\$34.17
18	SCREW 09139-06083	2	\$0.94

FIG.61



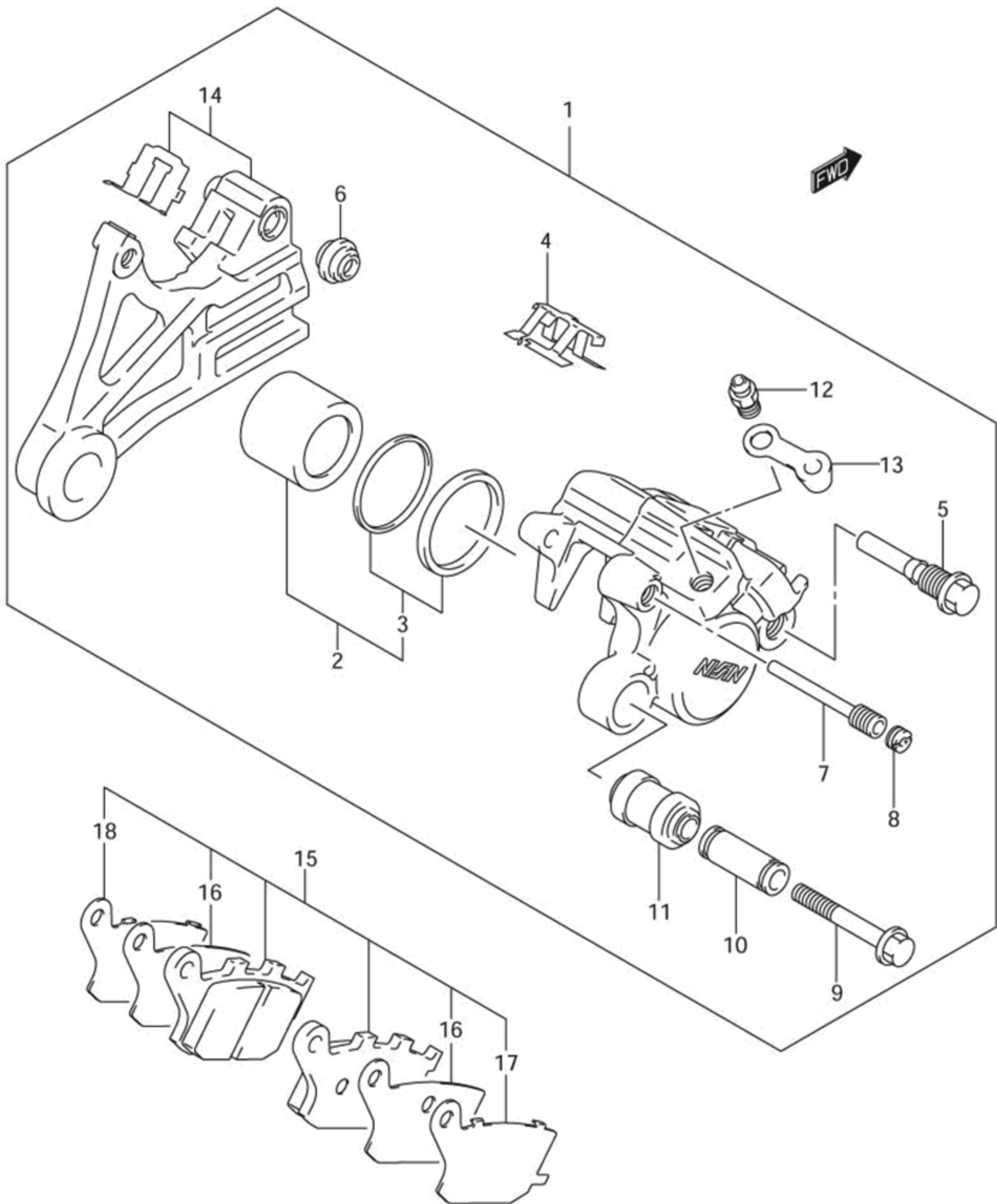
REF#	PART	#REQ	YOUR PRICE
1	LEVER SET,REAR 62600-06860	1	\$157.38
2	RN 20X27X30BRG2 09263-20073	1	\$10.50
3	RN 17X24X25 BRG 09263-17037	2	\$10.50
4	RN 17X24X26 BRG 09263-17034	1	\$12.40
5	BOLT,RR CUSHION 62658-19F00	1	\$4.45
6	SPACER,RR CUSHI 62684-12C00	1	\$6.93
7	WASHER PRY DRIV 09160-12037	2	\$1.65
8	NUT,REARCUSHION 09159-12056	1	\$3.26
9	BOLT,REAR CUSHI 62621-19D00	1	\$7.18
10	SPACER,12X17X85 09180-12122	1	\$8.34
11	NUT,REARCUSHION 09159-12056	1	\$3.26
12	SPACER,RR CUSHI 62684-40A10	1	\$5.57
13	ROD,RR CUSHION 62641-06G00	2	\$12.17
14	BOLT,REAR CUSHI 62621-19D00	1	\$7.18
15	SPACER,12X17X85 09180-12122	1	\$8.34
16	NUT,REARCUSHION 09159-12056	1	\$3.26
17-2	ABSORBER ASSY,R 62100-06G40-13L	1	\$619.00
18	BOLT ENGINE MOU 09103-10033	1	\$2.68
19	BOLT 10X55 09103-10143	1	\$1.61
20	NUT 09159-10058	2	\$1.55
21	CLAMP 09403-10313	2	\$2.61
22	BOLT 01550-06163	2	\$0.84

FIG.62



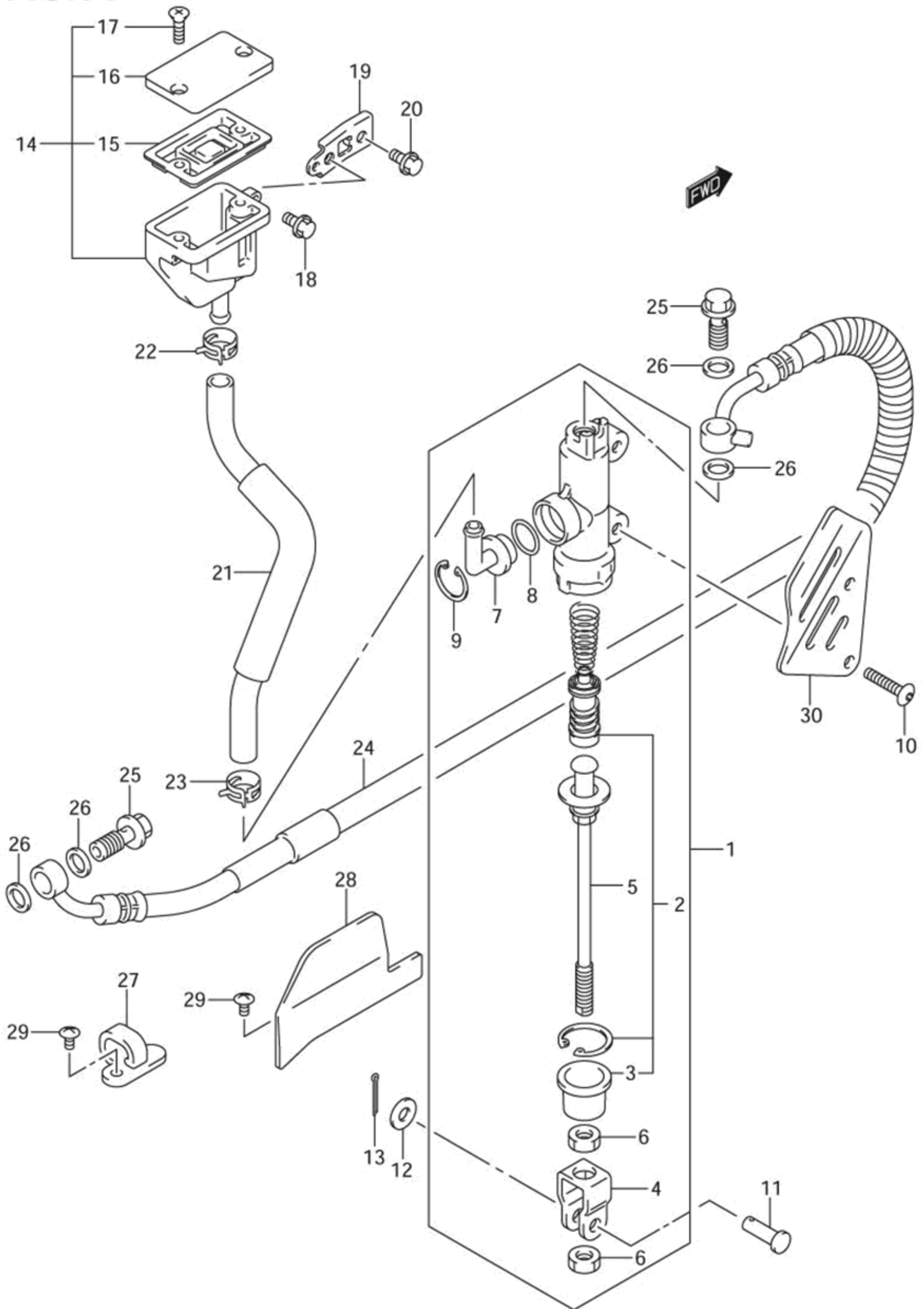
REF#	PART	#REQ	YOUR PRICE
1	WHEEL,REAR(17M/ 64111-06G00-019	1	\$350.18
2	DISC,REAR BRAKE 69211-06G00	1	\$120.94
3	BOLT,DISC 09106-08160	4	\$1.61
4	SPACER, RR AXLE 64741-10F00	1	\$9.22
5	DRUM,REAR SPROC 64610-35F10	1	\$108.55
6	ABSORBER,REAR H 64651-35F10	5	\$5.41
7	AXLE,REAR 64711-03F10	1	\$49.36
8	RETAINER,REAR S 64733-06G00	1	\$12.19
9	SPACER,REAR AXL 64751-27G00	1	\$11.32
10	NUT 08314-40187	1	\$2.45
11	WASHER,18.5X28X 09160-18030	1	\$1.04
12	40 X 40 COTTER 04111-40408	1	\$0.55
13	SPACER,20.8X27. 09180-20112	1	\$13.06
14	B1 32X65X17 BEA 09262-32007	1	\$21.34
15	SEAL,39X65X7 09285-39001	1	\$4.70
16	B1 20X47X14 BEA 08123-62047	2	\$10.50
17	OIL SEAL SPROCK 09285-28001	1	\$2.84
18	SPROCKET,REAR(4 64511-27G00	1	\$50.30
19	NUT 08319-31107	5	\$1.16
20	TIRE,REAR,150/7 65110-06G10	1	\$193.48
21	VALVE ASSY 43130-24A00	1	\$4.03
22-1	WEIGHT,WHEEL BA 43222-73H10	0%3	\$2.10
22-2	WEIGHT,WHEEL BA 43224-73H10	0%3	\$2.32
22-3	WEIGHT,WHEEL BA 43226-73H10	0%3	\$2.71

FIG.63



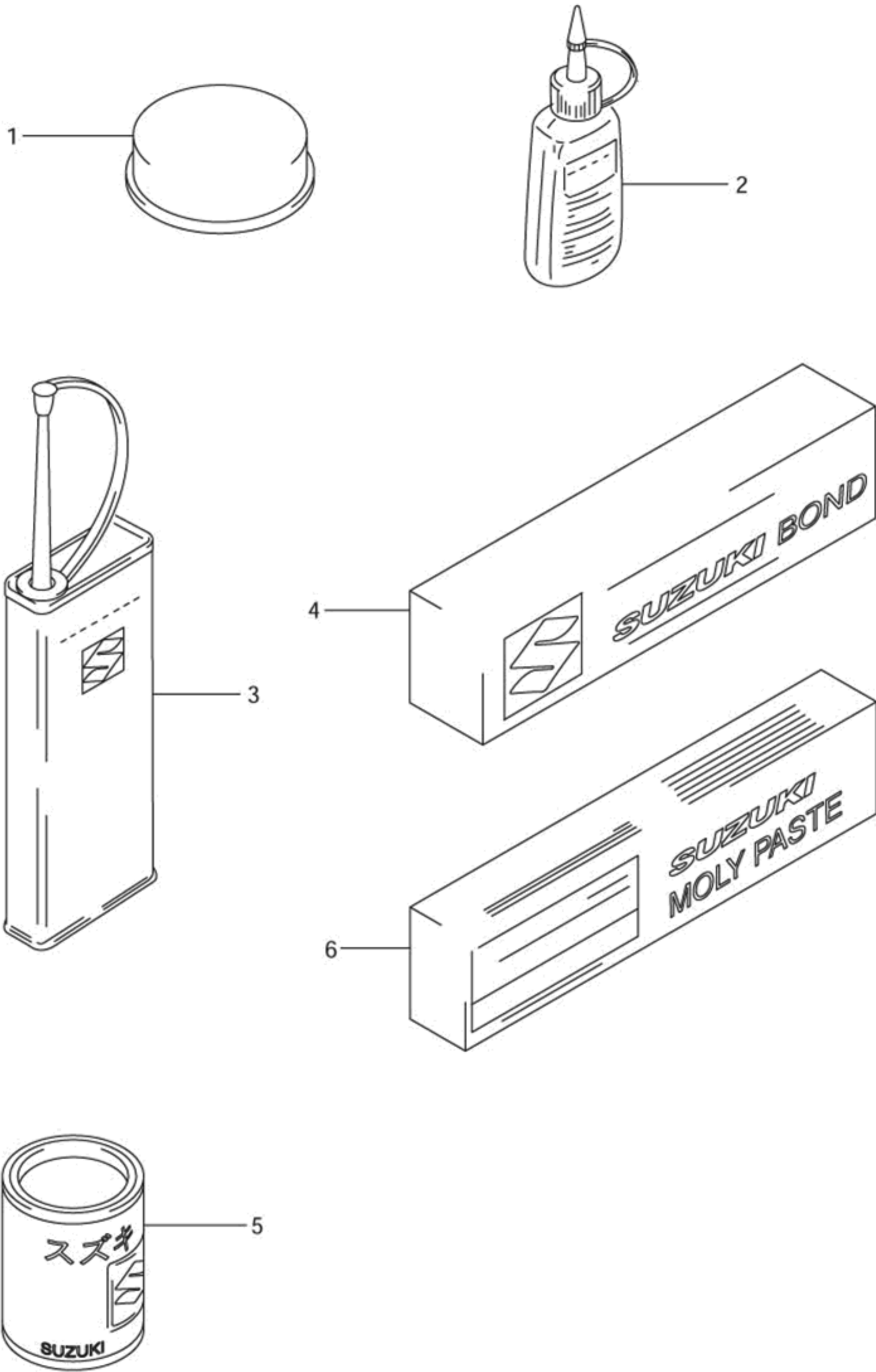
REF#	PART	#REQ	YOUR PRICE
1	CALIPER ASSY,RE 69100-06G00-999	1	\$105.85
2	PISTON SET 69100-04810	1	\$21.03
3	SEAL SET, PISTO 69100-04820	1	\$3.65
4	SPRING,PAD 69115-06G00	1	\$5.96
5	BOLT 69105-04F00	1	\$6.22
6	BOOT 59303-14500	1	\$2.57
7	PIN,PAD 69141-40F00	1	\$13.62
8	PLUG,PIN 59146-21E10	1	\$2.74
9	BOLT 69182-04F00	1	\$3.96
10	SLEEVE 69185-04F00	1	\$6.96
11	BOOT,SLEEVE 69186-04F00	1	\$5.86
12	BLEEDER 59121-01A00	1	\$3.96
13	CAP BLEEDER 59122-01A00	1	\$1.96
14	BRACKET 69150-06G00	1	\$50.41
15	PAD & RETAINER 69100-06830	1	\$45.48
16	INSULATOR 69132-06G00	2	\$7.83
17	RETAINER 69133-06G00	1	\$5.70
18	RETAINER 69134-06G00	1	\$5.70

FIG.64



REF#	PART	#REQ	YOUR PRICE
1	CYLINDER ASSY,R 69600-06G00	1	\$100.09
2	PISTON/CUP SET 69600-34820	1	\$18.28
3	BOOT 69691-00A00	1	\$2.39
4	YOKE 69692-19A00	1	\$6.09
5	ROD,PUSH 69670-03G00	1	\$15.99
6	NUT 69693-05A00	2	\$0.68
7	CONNECTOR 69672-00B20	1	\$3.16
8	O RING CONNECTO 69686-34200	1	\$1.26
9	CIRCLIP 69674-00B20	1	\$1.74
10	SCREW 09139-06029	2	\$2.35
11	PIN 09200-06037	1	\$0.65
12	WASHER 08322-01063	1	\$0.78
13	20 X 15 COTTER 04111-20158	1	\$0.52
14	TANK ASSY,REAR 69740-01D02	1	\$30.23
15	DIAPHRAGM,MASTE 59667-04700	1	\$4.45
16	CAP,MASTER CYLI 59669-05D00	1	\$7.41
17	SCREW 69689-04A00	2	\$0.68
18	BOLT 6X12 BLK 8 01547-06123	1	\$0.87
19	BRACKET,RR RESE 69750-27G00	1	\$5.10
20	BOLT 6X12 BLK 8 01547-06123	1	\$0.87
21	HOSE,REAR RESER 69730-27G00	1	\$10.89
22	CLIP 09401-13417	1	\$0.94
23	CLIP 09401-12404	1	\$0.94
25	BOLT 09360-10042	2	\$2.77
26	WASHER 09161-10009	4	\$0.81
27	GUIDE,REAR BRAK 61196-27C30	1	\$4.06
28	GUIDE,RR BRAKE 61196-06G00	1	\$10.66
29	SCREW 5X10 02142-05103	2	\$0.55
30	COVER,REAR MAST 69641-06G00	1	\$12.75

FIG.65



REF#	PART	#REQ	YOUR PRICE
1	BRAKE PAD GREAS 99000-25110	1	\$12.98
2-1	1333B THREADLOC 99000-32020	1	\$2.60
2-2	1303 THREADLOCK 99000-32030	1	\$2.60
2-3	1342 THREADLOCK 99000-32050	1	\$2.60
2-5	1360 THREADLOCK 99000-32130	1	\$2.60
4-2	LIQUID GASKET 1 99104-31140 (replaces 99000-31110)	1	\$17.33
5	SUZUKI SUPER GR 99000-25030	1	\$5.73
6	MOLY PASTE 99000-25140	1	\$7.18